




Clarke®



Operator's Manual Manual del operador Manuel de l'utilisateur

BOOST™ 32

- EN** English (2 - 23)
- ES** Español (24 - 45)
- FR** Français (46 - 67)

-  **READ THIS BOOK**
-  **LEA ESTE MANUAL**
-  **LISEZ CE MANUEL**

U.S. Patent No. 6,760,947; No. 6,105,192; No. 5,383,251; & Patents Pending

READ THIS BOOK

This book has important information for the use and safe operation of this machine. Failure to read this book prior to operating or attempting any service or maintenance procedure to your Clarke machine could result in injury to you or to other personnel; damage to the machine or to other property could occur as well. You must have training in the operation of this machine before using it. If your operator(s) cannot read this manual, have it explained fully before attempting to operate this machine.

All directions given in this book are as seen from the operator's position at the rear of the machine.

For new books write to: Clarke®, 2100 Highway 265, Springdale, Arkansas 72764.




Table of Contents

Operator Safety Instructions	3
Introduction	4
Machine Specifications	5
Procedures For Transporting	6
Symbols Used On Boost 32	7
Machine Control Panel Boost 32	8
Machine Controls and Features	10
How To Prepare The Machine For Operation	11
How To Install The Batteries	11
Battery Maintenance	12
How To Charge The Batteries	13
How To Charge The Batteris (On-Board Charger Option)	14
How To Install The Brush Or Pad	15
How To Remove The Brush Or Pad	15
How To Operate The Machine	16
How To Operate The Squeegee	16
How To Fill The Solution Tank	16
How To Traverse Machine	17
How To Clean A Floor	17
Maintenance	18
How To Correct A Problem	23
Accessories	24

Section II Parts and Service Manual

Solution Tank Assembly	74
Parts List	75
Recovery Tank Assembly	76
Parts List	77
Electrical Panel Assembly	78
Parts List	79
Electrical Panel Assembly (On-Board Charger Option)	80
Parts List	81
Control Panel Assembly	82
Parts List	83
Squeegee Swing Arm Assembly	84
Parts List	85
Traverse System Assembly	86
Parts List	87
Brush Head Assembly	88
Parts List	89
Remote Battery Charger Drawing and Parts List	90
VacMotor	91
Transaxle Parts	92
Electrical Plate Connection	93
Control Panel Connection Diagram	94
Front of Machine Connection Diagram	95
Control Housing Connection Diagram	96
Electrical Schematic	97

OPERATOR SAFETY INSTRUCTIONS

-  **DANGER:** Failure to read and observe all **DANGER** statements could result in severe bodily injury or death. Read and observe all **DANGER** statements found in your Owner's Manual and on your machine.
-  **WARNING:** Failure to read and observe all **WARNING** statements could result in injury to you or to other personnel; property damage could occur as well. Read and observe all **WARNING** statements found in your Owner's Manual and on your machine.
-  **CAUTION:** Failure to read and observe all **CAUTION** statements could result in damage to the machine or to other property. Read and observe all **CAUTION** statements found in our Owner's Manual and on your machine.

- DANGER:** Failure to read the Owner's Manual prior to operating or attempting any service or maintenance procedure to your Clarke machine could result in injury to you or to other personnel; damage to the machine or to other property could occur as well. You must have training in the operation of this machine before using it. If your operator(s) cannot read English, have this manual explained fully before attempting to operate this machine.
- DANGER:** Operating a machine that is not completely or fully assembled could result in injury or property damage. Do not operate this machine until it is completely assembled. Inspect the machine carefully before operation.
- DANGER:** Machines can cause an explosion when operated near flammable materials and vapors. Do not use this machine with or near fuels, grain dust, solvents, thinners, or other flammable materials. This machine is not suitable for picking up hazardous dust.
- DANGER:** Lead acid batteries generate gases which can cause an explosion. Keep sparks and flames away from batteries. Do not smoke around the machine. Charge the batteries only in an area with good ventilation. Make sure that you unplug the AC charger from the wall outlet before operating the machine.
- DANGER:** Working with batteries can be dangerous! Always wear eye protection and protective clothing when working near batteries. Remove all jewelry. Do not put tools or other metal objects across the battery terminals, or the tops of the batteries.
- DANGER:** Using a charger with a damaged power cord could result in an electrocution. Do not use the charger if the power cord is damaged.
- WARNING:** Operating this machine from anywhere other than the back of the machine could result in injury or damage. Operate this machine only from the rear.
- WARNING:** This machine is heavy. Get assistance before attempting to transport or move it. Use two able persons to move the machine on a ramp or incline. Always move slowly. Do not turn the machine on a ramp. If operating machine on a gradient over 2%, do not stop, turn or park. Read the "Procedures For Transporting" in this manual before transporting.
- WARNING:** Machines can topple over if guided over the edges of stairs or loading docks and cause injury or damage. Stop and leave this machine only on a level surface. When you stop the machine, turn the key "OFF". Set the parking brake, if equipped.
- WARNING:** Maintenance and repairs performed by unauthorized personnel could result in damage or injury. Maintenance and repairs must be performed by authorized Clarke personnel only.
- WARNING:** Any alterations or modifications of this machine could result in damage to the machine or injury to the operator or other bystanders. Alterations or modifications not authorized by the manufacturer voids any and all warranties and liabilities.

- WARNING:** Electrical components of this machine can "short-out" if exposed to water or moisture. Keep the electrical components of the machine dry. Wipe the machine down after each use. For storage, keep the machine in a dry building.
- WARNING:** Operating a machine without observing all labels and instructional information could result in injury or damage. Read all machine labels before attempting to operate. Make sure all of the labels and instructional information are attached or fastened to the machine. Get replacement labels and plates from your Clarke distributor.
- WARNING:** Wet floor surfaces can be slippery. Water solutions or cleaning materials used with this type of machine can leave wet areas on the floor surface. These areas can cause a dangerous condition for the operator or other persons. Always put "Caution" signs around/near the area you are cleaning.
- WARNING:** Improper discharge of waste water may damage the environment and be illegal. The United States Environmental Protection Agency has established certain regulations regarding discharge of waste water. Also, city and state regulations regarding this discharge may be in your area. Understand and follow the regulations in your area. Be aware of the environmental hazards of chemicals that you dispose.
- CAUTION:** Use of this machine to move other objects or to climb on could result in injury or damage. Do not use this machine as a step or furniture. Do not ride on this machine.
- CAUTION:** Your machine warranty will be voided if anything other than genuine Clarke parts are used on your machine. Always use Clarke parts for replacement.

Introduction

Clarke's newly designed Boost 32 automatic scrubber is an efficient and superior floor cleaning machine. The Boost 32 uses a brush or pad to scrub a path 32 inches wide. A squeegee wipes the floor while the vacuum motor removes the dirty solution from the floor - all in one pass.

The Boost 32 automatic scrubber comes complete with four - 6 volt batteries, battery connector cables, two battery cables, one battery charger, either a brush or pad, and one operator's manual.

Machine Specifications

Model	BOOST 32
Motor, Vac	3/4 HP (.74kw) three stage tangential discharge
Power Supply	24 volt (4-6V batteries) 250AH, 330AH
Solution Tank	30 gallon (114 liter)
Recovery Tank	30 gallon (114 liter)
Motors, Brush	3/4 hp PM (.74kw)
Motor Traction	.50 hp PM (.37kw)
Brushes	14" x 32" (35.6 cm x 81.3 cm)
Brush Speed	2250 rpm
Brush Pressure	120 lbs. (54.4 kg)
Speed, Forward	Variable to 230 ft./min. (70.1 m/min)
Speed, Reverse	Variable to 180 ft./min. (54.9 m/min)
Charger	24V DC, 25 Amp, 115/60 Hz (on-board optional)
Length	67.3 inches (171 cm)
Width - Machine	32.75 inches (83.2 cm)
Height	43.75 inches (112cm)
Cleaning Rate	34,500 sq. ft/hr. (3,205 sq. m/hr)
Cleaning Swath	32 inches (81.3 cm)
Grade Cleaning	6° Incline
Weight w/Batteries(250 AH)	675 lbs. (306.2 kg)
Shipping Weight w/batteries (250 AH)	892 lbs. (404.6 kg)
Noise	71 dBA
Vibration	<2.5 m/s ²

PROCEDURES FOR TRANSPORTING

How To Put The Machine In A Van Or Truck



WARNING: The machine is heavy. Make sure you use two able persons to assist the machine in climbing the ramp.

1. Make sure the loading ramp is at least eight (8) feet long, and strong enough to support the machine.
2. Make sure the ramp is clean and dry.
3. Put the ramp in position.
4. Remove squeegee assembly.
5. Turn key switch "ON".
6. Align the machine on a level surface ten (10) feet in front of the ramp.
7. Put the traverse speed switch in the "HI" position.
8. Press one or both forward switches.
9. Push the machine to the top of the ramp.
10. Turn the key switch "OFF".
11. Fasten the machine to the vehicle.

How To Remove The Machine From A Van Or Truck

1. Make sure there are no obstructions in the area.
2. Make sure the unloading ramp is at least eight (8) feet long and strong enough to support the machine.
3. Make sure the ramp is clean and dry.
4. Put the ramp in position.
5. Unfasten the machine.



WARNING: The machine is heavy. Make sure you use two able persons to assist in moving the machine down the ramp.

6. Turn the key switch "ON".
7. Carefully and slowly, drive the machine to the top of the ramp by pressing and holding either of the forward switches and the reverse switch.
8. Put the traverse speed switch to the mid range speed setting. As the machine begins to travel down the ramp, maintain a slow downward speed by pressing either of the forward switches.
9. Replace squeegee assembly after the machine is unloaded and ready to use.

SYMBOLS USED ON BOOST 32



Hazard Alert Symbol



On/Off Key Switch



Brush Up/Down



Solution Control



Power



Traverse Speed Control



Charge/Battery Meter



Warning Label
(with parking brake)



Warning Label
(without parking brake)

MACHINE CONTROL PANEL BOOST 32**Key Switch** (See Figure #1, Item "A")

The key switch turns "ON" the power to the control panel. "0" is "OFF" and "1" is "ON".

Traverse Speed Switch (See Figure #1, Item "B")

The speed control varies from low to high speed. To increase the speed, turn the knob to the right. To decrease the speed, turn the knob to the left.

Brush Up/Down Switch (See Figure #1, Item "C")

The brush switch has two positions: "Up" positions the brushes up; "Down" positions the brushes on the floor. The brush motor starts when the pad or brush is down and the traverse switch is depressed.

Solution Control Knob (See Figure #1, Item "D")

The solution control knob regulates the flow of cleaning solution to the floor. To increase the flow turn the knob clockwise. To decrease the flow, turn the knob counter-clockwise.

Forward Switch (See Figure #1, Item "E")

The forward switch turns the traverse motor "on" and if the brush motor is in the down position, it also activates the brush motor and solution control module. Either the right or the left switch can be used.

Reverse Switch (See Figure #1, Item "F")

The reverse switch, when used in conjunction with one of the forward switches, causes the machine to reverse direction. The reverse speed is 70% of the forward speed.

Charge / Battery Meter (See Figure #1, Item "G")

The charge/battery meter indicates the battery is being charged when the on-board charger option is plugged into an AC outlet. It also indicates the amount of charge that is left in the batteries while the machine is in use. When the battery charge gets too low the red light will begin flashing and the brush/pad motor will shut off.

Circuit Breakers (See Figure #1, Item "H"- "K")

The circuit breaker reset buttons are located on the control panel. The breakers are located as follows: Item H - Brush Motor (30A); Item I - Traverse Motor (30A); Item J - Vac Motor (25A); Item K - Actuator Motor, Brush Head (5A)

If a circuit breaker trips, determine which motor is not operating and turn the key switch "OFF". Wait five minutes and push the reset button back in. Turn the key switch "ON", and try again. An authorized service person should be contacted if the breaker trips again.

MACHINE CONTROL PANEL BOOST 32

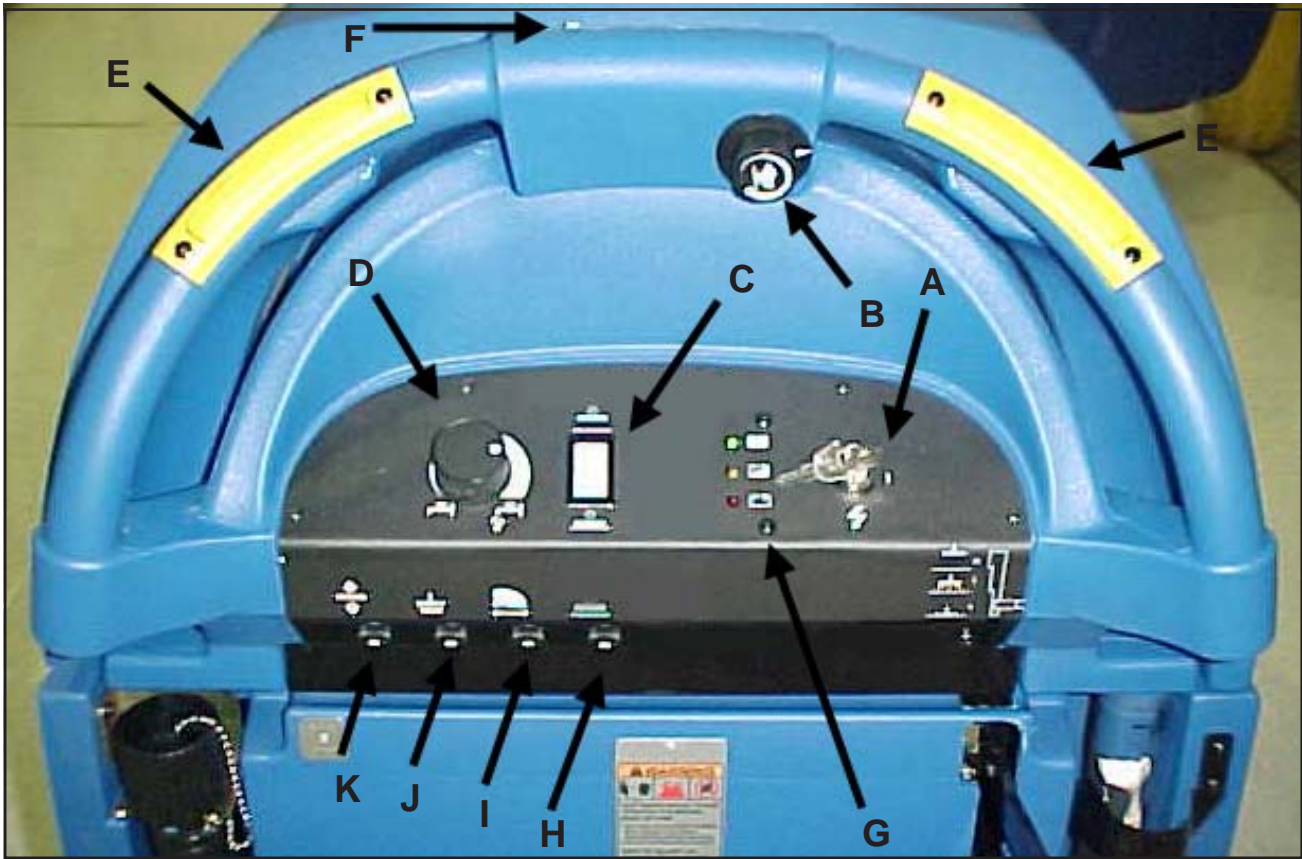


Figure #1

MACHINE CONTROLS & FEATURES

Squeegee Lift Handle See Figure #3a, 3b, & 3c. The squeegee lift handle is located below the control handles on the right side. It is used to raise or lower the squeegee. The vac motor is turned on when the handle is lowered.

Parking Brake (Optional) See Figure #4. The parking brake prevents movement of the machine. The brake is located on the left hand side of the transaxle motor. Turn the key switch off or disconnect the power to the battery to apply the brake.

There is a mechanical lever located on the brake. This lever is an override. To manually release the brake, rotate the lever toward the rear of machine (counter clockwise). To return the brake to normal or to apply the brake, rotate the lever towards the front of the machine (clockwise).

NOTE: If the lever is left in the override position, the brake will not function with the key switch, and the machine will not operate.

CAUTION: Do not activate the brake while the machine is moving.

Float Shut Off See Figure #5. The shut-off switch for the vac motor is located in the recovery tank. It automatically turns off the vac motor when the recovery tank is full.



Figure #3a



Figure #3b



Figure #3c

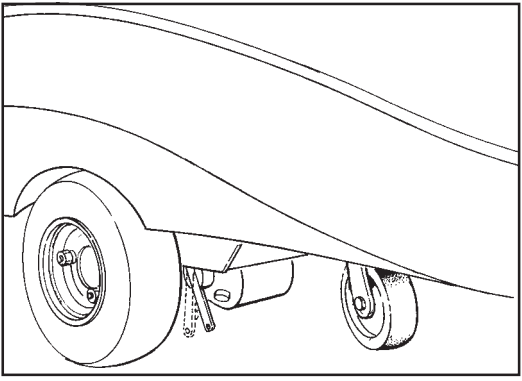


Figure #4



Figure #5

HOW TO PREPARE THE MACHINE FOR OPERATION

How To Install The Batteries

This machine uses four 6-volt batteries. The batteries are located in the battery compartment under the recovery tank.

To Install the batteries, follow this procedure:

1. Turn key switch off.
2. Make sure both tanks are empty.
3. Disconnect the hoses from the recovery tank (upper tank) & unplug the vac motor and float switch.
4. Remove the tank support bracket.
5. Remove the recovery tank.
6. Place the batteries in the solution tank as shown in figure 6a or 6b.

WARNING: Lifting batteries without help could result in an injury. Get help to lift the batteries. The batteries are heavy.

WARNING: Working with batteries can be dangerous. Always wear eye protection and protective clothing when working near batteries. **NO SMOKING!**

7. Connect the battery cables between batteries and install long battery cable assembly as indicated. See figure 6a or 6b.
8. Install the tank, reconnecting hoses and plugging in vac motor and float switch connectors. Install tank support bracket.

NOTE: Charge the batteries before using the machine.

NOTE: Check battery water levels prior to use.

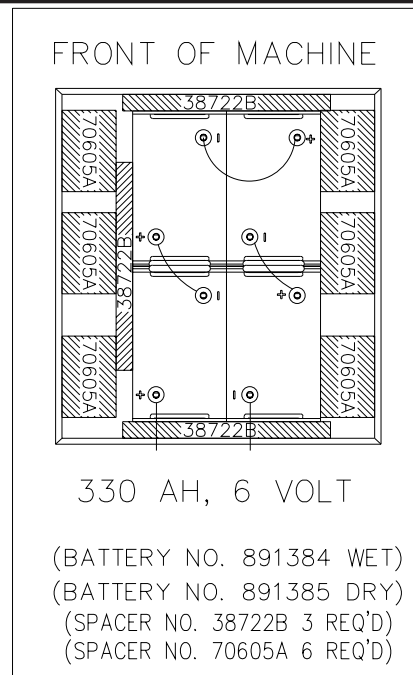


Figure #6a

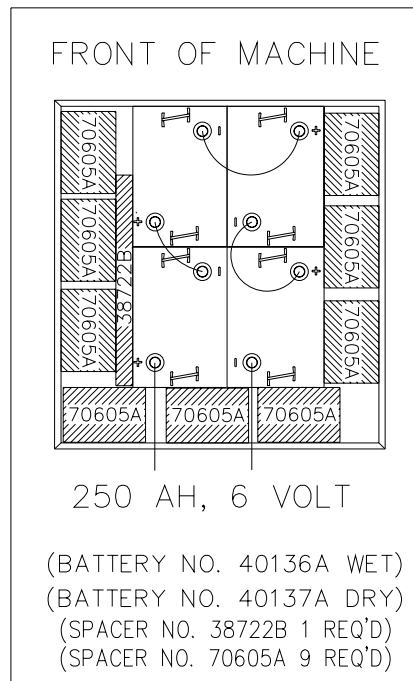


Figure #6b

**HOW TO PREPARE THE MACHINE
FOR OPERATION****Battery Maintenance**

The electrical power to operate the machine comes from the storage batteries. Storage batteries need preventive maintenance.

⚠ WARNING: Working with batteries can be dangerous. Always wear eye protection and protective clothing when working near batteries. **NO SMOKING!**

To maintain the batteries in good condition, follow these instructions:

1. Keep the electrolyte at the correct level. The correct level is between 1/4" below the bottom of the tube in each cell and above the tops of the plates. Check the level of the electrolyte each time you charge the batteries. See figure #7.

NOTE: Check the level of electrolyte prior to charging the batteries. Be sure the plates in each cell are covered with electrolyte. Do not top off the cells prior to charging the battery. Electrolyte expands during charging. As a result, the electrolyte could overflow from the cells. Always top off the cells with distilled water after charging.

⚠ CAUTION: Irreversible damage will occur to the batteries if the electrolyte level does not cover the plates. Keep the electrolyte at the correct level.

⚠ CAUTION: Machine damage and discharge across the tops of the batteries can occur if the batteries are filled above the bottom of the tube in each cell. Do not fill the batteries up to the bottom of the tube in each cell. Wipe any acid from the machine or the tops of the batteries. Never add acid to a battery after installation.

⚠ CAUTION: Tap water may contain contaminants that will damage batteries. Batteries must be re-filled with distilled water only.

2. Keep the tops of the batteries clean and dry. Keep the terminals and connectors clean. To clean the top of the batteries, use a damp cloth with a weak solution of ammonia or bicarbonate of soda solution. To clean the terminals and connectors, use a terminal and connector cleaning tool. Do not allow ammonia or bicarbonate of soda to get into batteries.
3. Keep the batteries charged.

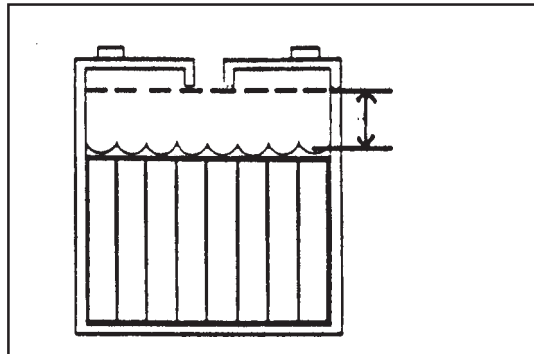


Figure 7

HOW TO PREPARE THE MACHINE FOR OPERATION

How To Charge The Batteries

⚠ WARNING: Charging the batteries in an area without adequate ventilation could result in an explosion. To prevent an explosion, charge the batteries only in an area with good ventilation.

⚠ WARNING: Lead acid batteries generate gases which could explode. Keep sparks and flames away from batteries. **NO SMOKING!**

To charge the batteries, follow this procedure:

1. Make sure the key switch is in the "OFF" position.
2. Before charging the batteries, the battery compartment needs to be vented. To vent compartment, tip up the recovery tank until it locks in the open position (see figure #8). To close the tank, pull up on the arm and then slowly lower the tank to the closed position.

⚠ CAUTION: Before raising tank, be sure tank is empty.

⚠ WARNING: Do not operate or perform maintenance on the machine while the recovery tank is in the open position. The tank can be accidentally bumped and it may slam shut.

3. Put the charger on a flat surface. Make sure the vents on the sides are at least two inches away from walls and other objects. Make sure there are no objects near the vents on the bottom of the charger.
4. Disconnect the battery pack connector from the batteries.
5. Connect the DC connector on the charger to the battery pack connector. See figure #8A.
6. Connect the battery charger AC cord to a 15 amp (min) 120V properly grounded wall receptacle.

NOTE: Make sure you plug into a circuit that is not loaded by other equipment. Wall breakers may be tripped and no charge will occur.

⚠ WARNING: Never charge a GEL battery with an unsuitable battery charger. Carefully follow the instructions given by the manufacturer of the batteries and battery charger.

NOTE: To prevent permanent damage to the batteries, avoid their complete discharge. Never leave the batteries completely discharged, even if the machine is not being used. When recharging the batteries, keep the recovery tank open. After every 20 recharging cycles, check the level of the electrolyte and if necessary top off with distilled water.



Figure # 8

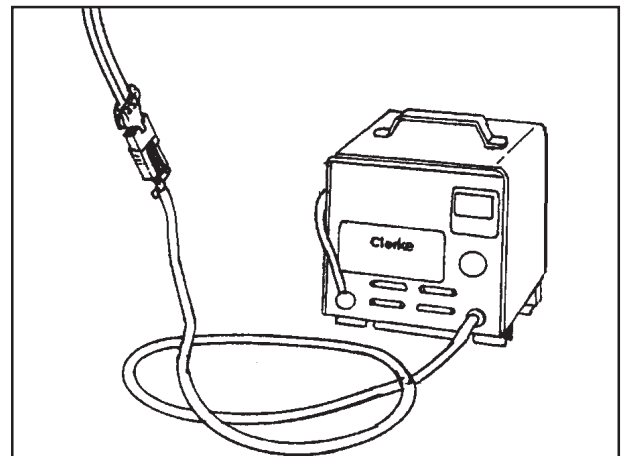




Figure #8A

HOW TO PREPARE THE MACHINE FOR OPERATION

How To Charge The Batteries (On-Board Charger Option)


 **WARNING:** Charging the batteries in an area without adequate ventilation could result in an explosion. To prevent an explosion, charge the batteries only in an area with good ventilation.

 **WARNING:** Lead acid batteries generate gases which could explode. Keep sparks and flames away from batteries. **NO SMOKING!**

To charge the batteries, follow this procedure:


1. Make sure the key switch is in the "OFF" position.
2. Before charging the batteries, the battery compartment needs to be vented. To vent compartment, tip up the recovery tank until it locks in the open position. To close the tank, pull up on the arm and then slowly lower the tank to the closed position.

 **CAUTION:** Before raising tank, be sure tank is empty.

 **WARNING:** Do not operate or perform maintenance on the machine while the recovery tank is in the open position. The tank can be accidentally bumped and it may slam shut.

3. Connect the battery charger AC cord located at the rear of the machine to a 15 amp (min) 120V properly grounded wall receptacle.
4. Observe indicator light to ensure the charging process has started. Flashing light(s) indicates that the batteries are being charged. Steady on green light indicates the batteries are fully charged.

NOTE: Make sure you plug into a circuit that is not loaded by other equipment. Wall breakers may be tripped and no charge will occur.

 **WARNING:** Never charge a GEL battery with an unsuitable battery charger. Carefully follow the instructions given by the manufacturer of the batteries and battery charger.

NOTE: To prevent permanent damage to the batteries, avoid their complete discharge. Never leave the batteries completely discharged, even if the machine is not being used. When recharging the batteries, keep the recovery tank open. After every 20 recharging cycles, check the level of the electrolyte and if necessary top off with distilled water.

HOW TO PREPARE THE MACHINE FOR OPERATION

How To Install The Brush Or Pad

To install the brush or pad on the machine, follow this procedure:

1. Turn the key switch "ON".
2. Put the brush switch in the "UP" position.
3. Turn the key switch "OFF".
4. Go to the front of the machine.
5. Open front cover.
6. Lift upwards on front side of brush plate until pin latches. See figure #9.
7. Press on a brush or pad under the flex plates. See figure #10.

NOTE: When using a black pad, position pad on head. Lower head and operate momentarily to affix pad to pad driver (if you have difficulty, position pad on floor and lower head then operate.)

8. Lift upwards on front brush plate and pull outwards on latch pin, then gently lower front brush plate to unlatch brush plate. See figure #9.

NOTE: Brush plate must be unlatched before closing front cover, or operating machine.

9. Close front cover.

How To Remove The Brush Or Pad

To remove the brush or pad from the machine, follow this procedure:

1. Turn the key switch "ON".
2. Put the brush switch in the "UP" position.
3. Turn the key switch "OFF".
4. Go to the front of the machine.
5. Pull downward on the brush or pad until it releases from the flex plates. See figure #11.

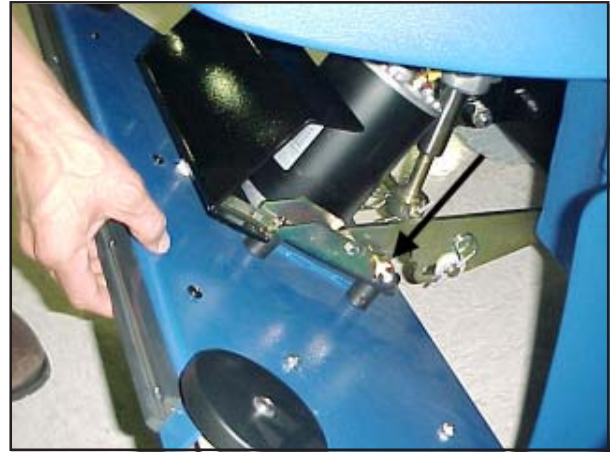


Figure #9



Figure #10

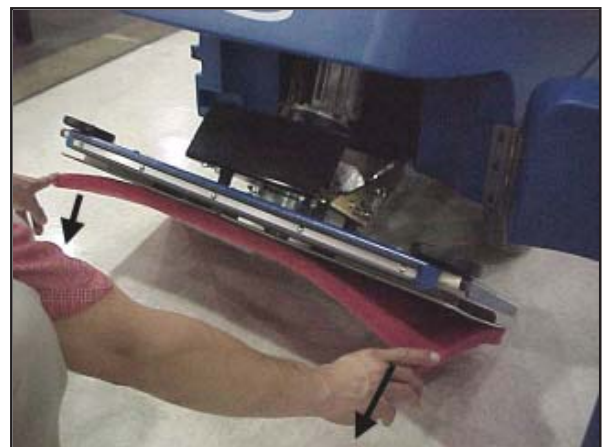


Figure #11

HOW TO OPERATE THE MACHINE

How To Operate the Squeegee

The squeegee wipes the floor while the vacuum motor removes the dirty solution from the floor. Use your right hand to lower or raise the squeegee handle. To operate the squeegee, follow this procedure:

1. To lower the squeegee and start the vac motor move the squeegee lever to the right and down. See figure #12.
2. To raise the squeegee, lift the squeegee lever up. See figure #13.



Figure #12



Figure #13

Note: The center position lets the vac motor continue to run with the squeegee off the floor to avoid drips.

CAUTION: Make sure water or solution does not enter the opening for the vacuum motor See figure #14.



Figure #14

How to Fill The Solution Tank

The solution tank can be filled in the front or through the clear drain hose at the rear of the machine. To fill the solution tank follow this procedure:

1. Remove the solution tank lid. See figure #15.
2. Fill the solution tank with water.
3. Add a cleaning chemical to the water. for the correct amount, follow the directions shown on the container.



Figure #15

WARNING: Water solutions or cleaning materials used with this type of machine can leave wet areas on the floor surface. These areas can cause a dangerous condition for the operator or other persons. Always put CAUTION signs near the area you are cleaning.

WARNING: Machines can ignite flammable materials and vapors. Do not use with or near flammables such as gasoline, grain dust, solvents, and thinners. Only use a cleaning concentration recommended by the chemical manufacturer.

WARNING: Clarke recommends a maximum water temperature of 120°F(49°C)



Figure #16

4. Replace the solution tank lid.
5. When filling the machine from the rear, position the clear drain hose against bracket and insert hose as shown in figure 16. Solution level can be viewed from the back of the machine.

HOW TO OPERATE THE MACHINE

How To Traverse Machine

NOTE: Put the machine in the slow traverse speed (see figure #17). Use the machine in an area that has no furniture and objects until you can do the following:

1. Move the machine in a straight direction, forward and backward.
2. Stop the machine safely.
3. Move the machine in a straight direction after you turn the machine.

To move the machine, follow this procedure:

1. Turn the key switch "ON" position.
2. Put the brush switch in the "UP" position.
3. Raise the squeegee.
4. To go forward, push one or both of the yellow forward switches (see figure #18).
5. To stop the machine, release the yellow forward switches.
6. To go backward, push in on the white reverse button and one of the yellow forward switches at the same time (see figure #19).
7. To turn the machine, push the rear of the machine to the side.
8. When you stop the machine, turn the key switch "OFF".

How to Clean a Floor

⚠ WARNING: Water solutions or cleaning materials used with this type of machine can leave wet areas on the floor surfaces. These areas can cause a dangerous condition for the operator or other persons. Always put CAUTION signs near the area you are cleaning.

To clean a floor, follow this procedure:

1. Put the water and a cleaning chemical in the clean solution tank.
2. Turn the key switch "ON".
3. Lower the squeegee.
4. Put the brush switch in the "DOWN" position.
5. Adjust the flow of clean solution to the flow desired.
6. Move the machine across the floor in the forward direction.
7. Make a 180° turn.

NOTE: When you make more passes across the floor, let the brush clean approximately 2 inches of the area already cleaned by the brush.

NOTE: During most cleaning procedures, apply and remove the solution in one operation.



Figure #17



Figure #18



Figure #19

HOW TO OPERATE THE MACHINE**How to Clean a Very Dirty Floor**

To clean a very dirty floor, follow this procedure:

1. Apply solution to the floor.
2. Do not lower the squeegee.
3. Do not activate the vacuum motor.
4. Lower the brush or pad and scrub the floor.
5. Leave the solution on the floor long enough for the solution to begin cleaning the floor.
6. Scrub the floor again with additional solution, picking up all the solution with the squeegee



Figure #20

MAINTENANCE

⚠ WARNING: Maintenance and repairs must be done by authorized personnel only.

⚠ WARNING: Always empty the solution tank and recovery tank before doing any maintenance.

⚠ WARNING: Keep all fasteners tight.

These Maintenance Procedures Must Be Done Every Day

Keep the machine clean, it will need fewer repairs and have longer life.

Do These Procedures When You Begin Your Work Period

1. Turn off key switch.
2. **Machines with on-board chargers -**
Unplug charger from AC outlet and wrap cord around bracket at rear of machine.
3. **Machines equipped with remote chargers -**
disconnect the plug on the battery charger and the battery pack connector. Join the connector from the batteries to the machine cable connector.
4. Make sure the recovery tank lid is on correctly (see figure #20).
5. Make sure the Screen filter over the vacuum motor is clean and in position (see figure #20).
6. Make sure the valve on the recovery drain hose is clean. Tightly close the valve.
7. Make sure the brush or pad is in position and installed correctly
8. Check the installation of the squeegee and squeegee hose.

MAINTENANCE**Do These Procedures When You End Your Work**

1. Drain the solution tank (Figure #21, item A) and the recovery tank (Figure #21, item B). To drain the tanks, follow this procedure:
 - a. Turn the key switch "OFF".
 - b. Remove the drain hose from the back of the machine.
 - c. Put the end of the hose over a drain or bucket.
 - d. Recovery Tank:
Turn the valve housing to the left (see figure #22). To open the valve completely, turn the housing fully to the left and pull the housing off of the valve.

Solution Tank:

When hose is lowered below water level, the water will drain (see figure 23).

2. Flush the tanks. To flush the tanks, put clean water in the tank through the opening on top of the tank.
3. If a tank or drain hose has an obstruction, use a high pressure water hose to flush the tank or hose. Put the water hose into the drain hose.
4. Leave the tanks and the drain valves open to dry in the air.
5. Check the squeegee blade. Use a cloth to clean the squeegee blade. If the squeegee blade is damaged or worn, turn or replace the blade.
6. Check and clean the recovery lid gasket. Use a mild cleaning solution and rinse the parts in clean water.

Check the batteries and add distilled water as needed. The correct level is within 1/4 inch of the bottom of the tube in each cell.

⚠ CAUTION: Tap water may contain contaminants that will damage batteries. Batteries must be re-filled with distilled water only.

⚠ WARNING: Lead acid batteries generate gases which can cause an explosion. **NO SMOKING.** Always wear eye protection and protective clothing when working near batteries.

Use a clean cloth and wipe the surface of the machine.

Charge the batteries. See the instruction in the section of this book called "How To Charge The Batteries".

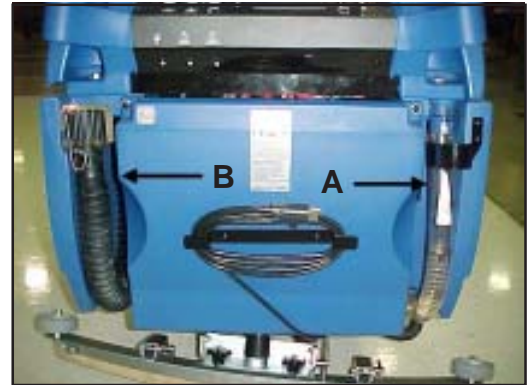


Figure #21



Figure #22



Figure #23

MAINTENANCE

These Maintenance Procedures Must Be Done Every Week:

⚠ WARNING: Maintenance and repairs must be done by authorized personnel only. Always empty the solution tank and the recovery tank before doing any maintenance. Keep all fasteners tight.

⚠ WARNING: Always wear eye protection and protective clothing when working near batteries. Do not put tools or other metal objects across the battery terminals or the tops of the batteries.

⚠ CAUTION: To prevent damage to the machine, and discharge across the tops of the batteries, do not fill the batteries above the bottom of the tube in each cell. Wipe any acid from the machine or the tops of the batteries. Do not add acid to battery after installation.

NOTE: Always turn off key switch before servicing the machine.

⚠ WARNING: Always wear eye protection and protective clothing when working near batteries. **NO SMOKING!**

1. To inspect batteries, tip up recovery tank until it locks in up position. See Figure #24.
2. Disconnect the batteries. Use a cloth and a solution of ammonia or bicarbonate of soda to wipe the top of the batteries. Clean the battery terminals. Reconnect the batteries.
3. Check the hoses for leaks, obstructions and other damages.
4. Check and clean the filter screen in-line with the solution hose. To clean the screen, follow this procedure:
 - a. Turn the solution valve to the off position.
 - b. Remove and clean the filter screen.
 - c. Install the filter screen. Turn on the solution valve.
5. Use a grease gun to lubricate the drive wheel and the casters. See figure #25.
6. Check tire pressure. Tire pressure should be about 50 psi.



Figure #24

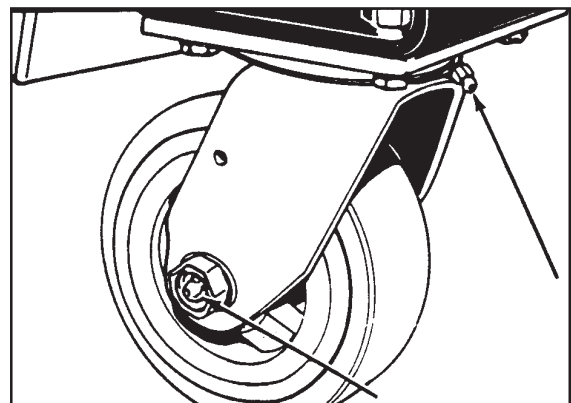


Figure #25

MAINTENANCE

7. Check the squeegee and the scrub brush or the pad for damage.
8. Check the squeegee and the vacuum hose for damage, leaks and obstructions.

Maintenance For The Squeegee

To remove the squeegee, follow this procedure:

1. Remove the squeegee assembly by loosening the two knobs that attach the squeegee to the machine. Pull the squeegee assembly off. See figure #26.
2. Inspect the squeegee blade.
3. If the blade is worn, turn the blade so that a new edge is in the wiping position.
4. Reinstall squeegee assembly on the machine.

How To Adjust The Squeegee

The following adjustments are set at the factory, however they may require slight adjustment.

Adjusting Squeegee Pressure:

To adjust the pressure, refer to Figure #27. Proper adjustment will produce a uniform flare along the rear blade when the machine is moved forward. To increase pressure, tighten the nuts on each side of the swing arm. To decrease the pressure, loosen the nuts on each side.

Adjusting Squeegee Tilt:

The tilt of the squeegee causes the rear blade to raise up in the center or on the ends, depending on which direction the tilt is changed. For tilt adjustment, refer to figure # 28. Loosen left and right screw "X". In order to bring the rear blade down in the center, tip "Y" down. To bring both ends down, tip "Y" up. Make very small adjustments and try it until a uniform flare is achieved. Changing the tilt may also require readjusting the squeegee pressure.

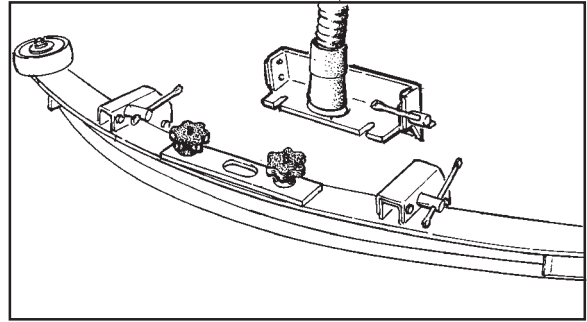


Figure #26

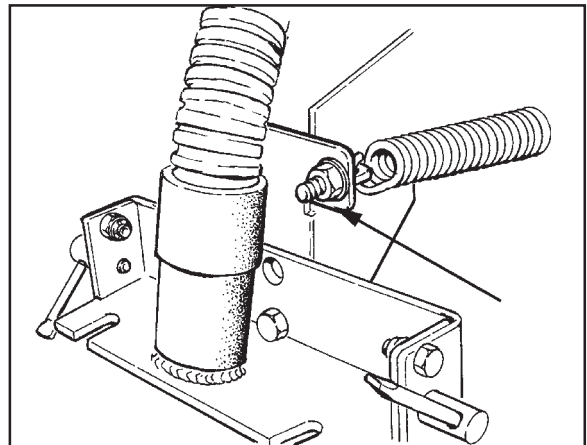


Figure #27

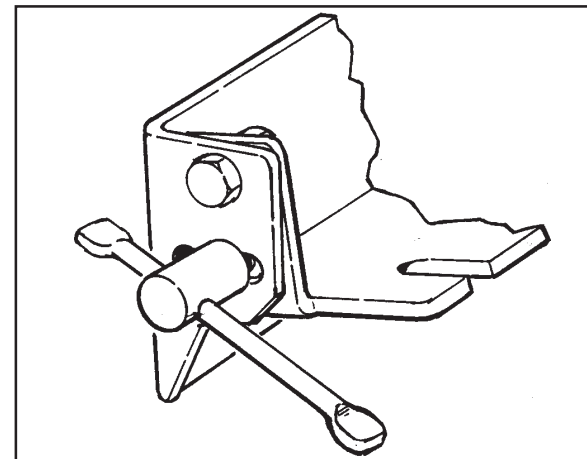


Figure #28

MAINTENANCE

Adjusting Squeegee Blades

When properly installed the front blade should be approximately .06 above the rear blade. See figure #29.

Adjusting Squeegee Support Wheels:

The support wheels should be set at .12 above the floor with the rear blade touching the floor. See figure #29.

⚠ WARNING: Maintenance and repairs must be done by authorized personnel only .

⚠ WARNING: Electrical repairs must be done by authorized personnel only.

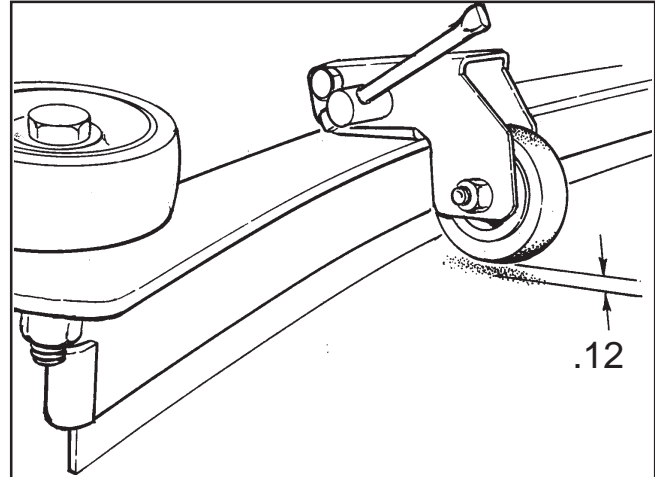


Figure #29

Consult your Clarke Authorized Service Person to do the service procedures.

Use only genuine Clarke parts.

How to Clean the Solution Line

If the solution line becomes clogged, follow this procedure:

1. Turn the solution valve to the off position. See figure 30, A.
2. Remove and clean the filter screen. See figure 30, B.
3. Install the filter screen. Turn on the solution valve.

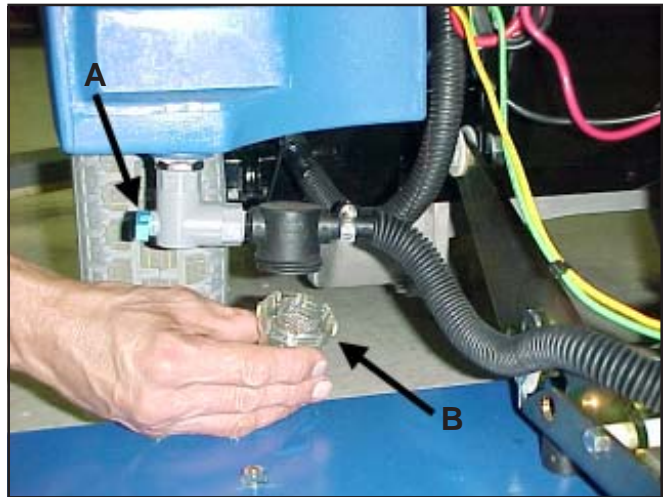


Figure #30

HOW TO CORRECT PROBLEMS IN THE MACHINE

PROBLEM	CAUSE	ACTION
<p>The machine does not remove all the water from the floor.</p>	<p>The squeegee is up</p> <p>The vacuum tank is full.</p> <p>The screen filter is dirty.</p> <p>There is an obstruction or damage in the squeegee, squeegee hose or standpipe.</p> <p>The vacuum motor is not running.</p> <p>The squeegee hose is disconnected.</p> <p>The squeegee blade is damaged, worn, or incorrectly installed.</p> <p>The squeegee pressure is not correctly adjusted.</p> <p>The gaskets on the cover of the recovery tank are damaged.</p>	<p>Lower the squeegee.</p> <p>Drain the tank.</p> <p>Clean the screen filter.</p> <p>Remove the obstruction or repair the damage.</p> <p>Check for tripped breaker. Have an authorized service person make repairs.</p> <p>Connect the hose.</p> <p>Turn or replace the squeegee blade. Correctly install the squeegee blade.</p> <p>Adjust the pressure of the squeegee.</p> <p>Replace the gaskets.</p>
<p>The batteries do not give the normal running time.</p>	<p>The battery terminals are dirty or damaged.</p> <p>The electrolyte level is too low.</p> <p>The batteries are not fully charged.</p> <p>The charger is damaged.</p> <p>The battery is defective.</p> <p>The batteries are disconnected.</p>	<p>Clean the terminals and connectors. Replace the damaged cables. Charge the batteries.</p> <p>Add distilled water to each cell and charge the batteries.</p> <p>Charge the batteries for a full 16 hour charge.</p> <p>Have an authorized service person repair the charger.</p> <p>Check voltage of each cell while discharging.</p> <p>Connect the batteries.</p>
<p>The cleaning is not even.</p>	<p>The scrub brushes or pads are worn.</p> <p>There is damage to the brush assembly, casters or the solution valve.</p> <p>The brush motors are not running</p> <p>The solution level is low.</p>	<p>Replace the scrub brushes or pads.</p> <p>Have an authorized service person make the needed repairs.</p> <p>Check for tripped breaker, reset. Check for loose connections.</p> <p>Fill the solution tank.</p> <p>NOTE: If the motors continue to stop consult an authorized service person.</p>
<p>The machine does not run.</p>	<p>The machine loses power.</p>	<p>Reset the circuit breaker.</p> <p>Check wire connection to traverse motor.</p> <p>Replace the fuses.</p> <p>Check the batteries connections.</p> <p>Check parking brake override lever position (if installed)</p> <p>NOTE: If the motors continue to stop, consult an authorized service person.</p>

Accessories

ACCESSORIES

<u>Description</u>	<u>Part No.</u>
Power Wand System Kit	11008A
ESP Recycle System Kit	11056A
Soft Caster Asm.	52127A
Clarke Care Kit	14607A
Drive Wheel, Foam Filled	59955A
<i>Imperial</i> Electric Parking Brake Kit	53657A
Clarke Battery Maintenance System (CBMS)	53390A

Optional Squeegee Blades

<u>Machine</u>	<u>Blade</u>	<u>Type</u>	<u>Material</u>	<u>Length</u>	<u>Part No.</u>
32	Inner	Optional	Urethane, Ribbed (60)	40.25"	30953A
32	Inner	Optional-Grout	Urethane, Notched 1/16" (80)	41.00"	30958A
32	Inner	Optional	Gum, Notched 3/16"	42.12"	30717A
32	Outer	Optional	Nitrile, Solid (40)	42.12"	30937A

PADS: <u>Size</u>	<u>Description</u>	<u>Part No.</u>
14 x 32	Red (5 pack)	997004
14 x 32	Black (5 pack)	997003
14 x 32	White (5 pack)	997005
14 x 32	Blue (5 pack)	997007

LEA ESTE MANUAL

Este manual contiene información importante acerca del uso y la seguridad de la máquina. Si no lee el manual antes de utilizar su máquina Clarke o de intentar realizar los procedimientos de reparación o mantenimiento de la misma, usted o el resto del personal podrían sufrir lesiones; asimismo, podrían producirse daños a la máquina o a otras propiedades. Antes de utilizar la máquina, es necesario recibir la capacitación adecuada en la operación de la misma. Si el operador de la máquina no sabe leer en inglés, explíquele el manual exhaustivamente antes de que intente utilizarla.




Todas las indicaciones incluidas en este manual se ofrecen desde la posición del operador en la parte posterior de la máquina.

Si desea conseguir nuevos manuales, escriba a: Clarke®, 2100 Highway 265, Springdale, Arkansas 72764.

Índice

Instrucciones de seguridad para el operador	27
Introducción	28
Especificaciones de la máquina	29
Procedimientos para transporte	30
Símbolos utilizados en los modelos Boost 32	31
Panel de control de la máquina en los modelos Boost 32	32
Controles y funciones de la máquina	34
Preparación de la máquina para el funcionamiento	35
Instalación de las baterías	35
Mantenimiento de las baterías	36
Carga de las baterías	37
Carga de las baterías (Cargador incorporado opcional)	38
Instalación de la cepillo o la almohadilla	39
Extracción de la cepillo o la almohadilla	39
Operación de la máquina	40
Operación de la escobilla de goma	40
Llenado del depósito de solución	40
Desplazamiento de la máquina	41
Limpieza de pisos	41
Mantenimiento	42
Corrección de problemas	47
Accesorios	48
Sección II Manual de repuestos y servicio	73

INSTRUCCIONES DE SEGURIDAD PARA EL OPERADOR

 PELIGRO:	Si no se leen y cumplen todas las instrucciones que aparecen bajo el encabezado PELIGRO , se pueden producir lesiones personales graves e incluso la muerte. Lea y respete todas las indicaciones de PELIGRO que se encuentran en el manual de instrucciones y en la máquina.
 ADVERTENCIA:	Si no se leen y cumplen todas las instrucciones que aparecen bajo el encabezado ADVERTENCIA , usted o el resto del personal pueden sufrir lesiones; también pueden producirse daños a la propiedad. Lea y respete todas las indicaciones de ADVERTENCIA que se encuentran en el manual de instrucciones y en la máquina.
 PRECAUCIÓN:	Si no se leen y respetan todas las instrucciones que aparecen bajo el encabezado PRECAUCIÓN , pueden producirse daños en la máquina y en otras propiedades. Lea y respete todas las indicaciones de PRECAUCIÓN que se encuentran en el manual de instrucciones y en la máquina.

PELIGRO: Usted o el resto del personal pueden sufrir lesiones si no leen el manual de instrucciones antes de operar, intentar reparar o realizar mantenimiento a su máquina Clarke. Asimismo, pueden producirse daños a la máquina o a otras propiedades. Antes de utilizar la máquina, es necesario recibir la capacitación adecuada en la operación de la misma. Si el operador de la máquina no sabe leer en inglés, explíquelo el manual exhaustivamente antes de que intente utilizarla.

PELIGRO: Cuando se opera una máquina que no se encuentra completa o totalmente ensamblada, es posible que usted o el resto del personal sufran lesiones o que se produzcan daños a la propiedad. No haga funcionar la máquina hasta que no esté completamente ensamblada. Inspeccione cuidadosamente la máquina antes de ponerla en funcionamiento.

PELIGRO: Las máquinas pueden causar una explosión si se utilizan cerca de materiales y vapores inflamables. No utilice la máquina con combustibles, polvo de cereales, solventes, diluyentes u otros materiales inflamables ni cerca de ellos. Esta máquina no es adecuada para limpiar polvos peligrosos.

PELIGRO: Las baterías de plomo generan gases, los cuales pueden causar una explosión. Mantenga las baterías alejadas de chispas y llamas. No fume cerca de la máquina. Cambie las baterías solamente en áreas con buena ventilación. Compruebe que el cargador de C.A. esté desenchufado de la toma de corriente de la pared antes de operar la máquina.

PELIGRO: ¡El trabajo con baterías puede resultar peligroso! Siempre utilice protección ocular y ropa de protección cuando trabaje cerca de baterías. Sáquese todas las joyas. No coloque herramientas ni otros objetos metálicos encima de los bornes de las baterías o de las partes superiores de las mismas.

PELIGRO: El uso de un cargador con un cable de alimentación dañado puede producir una electrocución. No utilice el cargador si el cable de alimentación está dañado.

ADVERTENCIA: Si opera la máquina desde cualquier parte que no sea la parte posterior de la misma se pueden producir lesiones o daños. Opere la máquina sólo desde la parte posterior.

ADVERTENCIA: La máquina es pesada. Obtenga ayuda antes de intentar transportarla o moverla. Utilice dos personas capaces para mover la máquina sobre una rampa o inclinación. Mueva siempre lentamente. No haga girar la máquina en una rampa. Si se opera la máquina en una pendiente de más del 2%, no se detenga, gire ni estacione. Lea la sección "Procedimientos para transporte" de este manual antes de transportar la máquina.

ADVERTENCIA: Las máquinas pueden volcar si se las conduce por bordes de escalones o de muelles de carga, causando lesiones o daños. Detenga la máquina y déjela solamente en superficies uniformes. Cuando detenga la máquina, gire la llave a "OFF" (apagado). Ponga el freno de estacionamiento.

ADVERTENCIA: El mantenimiento y las reparaciones realizados por personal no autorizado podrían producir daños o lesiones. El mantenimiento y las reparaciones sólo deben ser realizados por personal autorizado de Clarke.

ADVERTENCIA: Todas las alteraciones o modificaciones realizadas a esta máquina pueden producir daños a la misma o lesiones al operador o a otras personas que se encuentren en el lugar. Las alteraciones o modificaciones no autorizadas por el fabricante anulan todas las garantías y responsabilidades.

ADVERTENCIA: Los componentes eléctricos de esta máquina pueden producir un cortocircuito si se exponen al agua o a la humedad. Mantenga secos los componentes eléctricos de la máquina. Limpie la máquina después de cada uso. Almacene la máquina en un lugar cubierto y seco.

ADVERTENCIA: La operación de una máquina sin respetar todas las etiquetas e instrucciones puede producir lesiones o daños. Lea todas las etiquetas de la máquina antes de intentar hacerla funcionar. Compruebe que todas las etiquetas y las instrucciones se encuentren unidas o sujetas a la máquina. Consiga etiquetas y placas de repuesto de su distribuidor Clarke.

ADVERTENCIA: Si la superficie del piso está húmeda puede resultar resbalosa. Las soluciones de agua o los materiales de limpieza que se utilizan con este tipo de máquina pueden dejar mojadas algunas zonas del piso. Estas áreas pueden resultar peligrosas para el operador o para otras personas. Coloque siempre avisos de "Precaución" alrededor y cerca del área que esté limpiando.

ADVERTENCIA: La descarga inapropiada de aguas residuales puede dañar el medio ambiente y ser ilegal. La Agencia de Protección Ambiental (EPA) de los Estados Unidos ha establecido determinadas reglamentaciones relacionadas con la descarga de aguas residuales. Además, reglamentaciones locales, estatales y nacionales relacionadas con esta descarga pueden también estar vigentes en su zona. Comprenda y respete las reglamentaciones de su zona. Sea consciente de los riesgos para el medio ambiente de los productos químicos que usted elimina.

PRECAUCIÓN: Si utiliza esta máquina para desplazar otros objetos o para subirse a la misma se pueden producir lesiones o daños. No utilice esta máquina como escalera ni como mueble. No se suba a la máquina.

PRECAUCIÓN: Si no utiliza los repuestos originales de Clarke la garantía de la máquina se anulará. Utilice siempre repuestos de Clarke.

Introducción

La nuevo modelo de fregadora automática Boost 32 Clarke son máquina efectivas y de calidad superior para la limpieza de pisos. El modelo Boost 32 utiliza un cepillo o almohadilla para limpiar un recorrido de 32 pulgadas de ancho. Una escobilla de goma limpia el piso mientras el motor de vacío quita la solución sucia del piso –y todo esto en una sola pasada.

La fregadora automática Boost 32 se entregan completas con cuatro baterías de 6 voltios, cables conectores de baterías, dos cables de batería, un cargador de batería, un cepillo o almohadilla y un manual del operador.

Especificaciones de la máquina

Modelo	Boost 32
Motor de vacío	de 3/4 HP (0,74kw) de descarga tangencial
Fuente de alimentación	24 voltios (baterías de 4-6V) 250AH, 330AH
Depósito de solución	30 galones (114 litros)
Depósito de recuperación	30 galones (114 litros)
Motores, cepillo	3/4 hp PM (0,74kw)
Tracción del motor	0,50 hp PM (0,37kw)
Cepillo	14" x 32" (35.6 cm x 81.3 cm)
Velocidad del cepillo	2250 rpm
Presión del cepillo	120 lbs. (54.4 kg)
Velocidad hacia delante	Variable, hasta 230ft/min. (70.1 m/min)
Velocidad hacia atrás	Variable, hasta 180ft/min. (54.9 m/min)
Cargador	24V DC, 25 A, 115/60Hz, Incorporado como opcional
Longitud	67.3 pulgadas (171 cm)
Anchura - Máquina	32.75 pulgadas (83.2 cm)
Altura	43,75 pulgadas (112cm)
Tasa de limpieza	34,500 sq. ft/hr (3,205 sq. m/hr)
Amplitud de limpieza	32 pulgadas (81.3 cm)
Limpieza en pendiente	Inclinación de 6°
Peso con baterías (250AH)	675 libras (306.2 kg)
Peso de envío con baterías (250AH)	892 libras (404.6 kg)
Ruido	71 dBA
Vibraciones	<2.5 m/s ²

PROCEDIMIENTOS PARA TRANSPORTE

Colocación de la máquina en una furgoneta o un camión

⚠ ADVERTENCIA: La máquina es pesada. Asegúrese de utilizar dos personas capaces para ayudar a subir la máquina a la rampa.

1. Asegúrese de que la rampa de carga tenga al menos 2,4 metros (8 pies) de longitud, y tenga la resistencia suficiente para soportar la máquina.
2. Asegúrese de que la rampa esté limpia y seca.
3. Sitúe la rampa en posición.
4. Extraiga el montaje de la escobilla de goma.
5. Gire el interruptor de llave a la posición "ON" (encendido).
6. Alinee la máquina en una superficie nivelada 3 metros (10 pies) delante de la rampa.
7. Sitúe el interruptor de la velocidad de desplazamiento en la posición "HI" (alta).
8. Oprima uno o ambos interruptores de movimiento hacia adelante.
9. Empuje la máquina hasta la parte superior de la rampa.
10. Gire el interruptor de llave hasta la posición "OFF" (apagado).
11. Asegure la máquina en el vehículo.

Sacar la máquina de una furgoneta o un camión

1. Asegúrese de que no haya ninguna obstrucción en el área.
2. Asegúrese de que la rampa de descarga tenga al menos 2,4 metros (8 pies) de longitud y de que su resistencia sea suficiente para soportar la máquina.
3. Asegúrese de que la rampa esté limpia y seca.
4. Sitúe la rampa en posición.
5. Suelte la máquina

⚠ ADVERTENCIA: La máquina es pesada. Asegúrese de utilizar dos personas capaces para ayudar a bajar la máquina por la rampa.

6. Gire el interruptor de llave hasta la posición "ON" (encendido).
7. Con cuidado y lentamente, empuje la máquina hacia la parte superior de la rampa, manteniendo oprimido cualquiera de los interruptores de movimiento hacia adelante y el interruptor de movimiento en reversa.
8. Sitúe el interruptor de la velocidad de desplazamiento en la posición de rango medio. A medida que la máquina comience a descender por la rampa, mantenga una velocidad de descenso lenta, oprimiendo cualquiera de los interruptores de movimiento hacia adelante.
9. Vuelva a colocar el montaje de la escobilla de goma una vez que la máquina haya sido descargada y esté lista para usar.

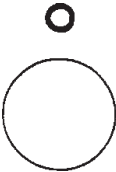
SÍMBOLOS UTILIZADOS EN LOS MODELOS BOOST 32



Símbolo de alerta de riesgo



Medidor de carga / batería



Interruptor de llave On/Off (encendido/ apagado)



Etiqueta de advertencia (con freno de estacionamiento)



Cepillo Arriba/ Abajo



Etiqueta de advertencia (sin freno de estacionamiento)



Control de solución



Alimentación



Control de velocidad de desplazamiento

PANEL DE CONTROL DE LA MÁQUINA BOOST 32

Interruptor de llave (consulte la figura 1, elemento "A")

El interruptor de llave enciende el suministro de energía del panel de control. "0" significa "OFF" (apagado) e "1" significa "on" (encendido).

Velocidad de desplazamiento (consulte la figura 1, elemento "B")

El control de velocidad varía de velocidad baja a alta. Para aumentar la velocidad, gire la perilla hacia la derecha. Para reducir la velocidad, gire la perilla hacia la izquierda.

Interruptor de cepillo Arriba/Abajo (consulte la figura 1, elemento "C")

El interruptor del cepillo tiene dos posiciones: "Up" (arriba) sube los cepillos; "Down" (abajo) baja los cepillos al piso. El motor del cepillo se enciende cuando la almohadilla o el cepillo está en posición "down" (abajo) y se presiona el interruptor de desplazamiento.

Perilla de control de la solución (consulte la figura 1, elemento "D")

La perilla de control de la solución regula el flujo de solución química hasta el piso. Para aumentar el flujo, gire la perilla en el sentido de las agujas del reloj. Para reducir el flujo, gire la perilla en sentido contrario al de las agujas del reloj.

Interruptor de movimiento hacia adelante (consulte la figura 1, elemento "E")

El interruptor de movimiento hacia adelante enciende ("on") el motor de desplazamiento y activa el motor del cepillo y el módulo de control de solución si el motor del cepillo está en posición "down" (abajo). Puede utilizarse el interruptor izquierdo o el derecho.

Interruptor de movimiento en reversa (consulte la figura 1, elemento "F")

El interruptor de movimiento en reversa, cuando se utiliza junto con uno de los interruptores de movimiento hacia adelante, hace que la máquina invierta la dirección de movimiento. La velocidad en reversa es un 70% de la velocidad alcanzada en el movimiento hacia adelante.

Medidor de carga / batería (consulte la figura 1, elemento "G")

El medidor de carga/batería indica que se está cargando la batería, cuando se enchufa el cargador incorporado opcional a un tomacorriente de C.A. También indica la cantidad de carga que queda en las baterías mientras la máquina está en uso. Cuando el cargador de batería posee baja carga, comenzará a parpadear la luz roja y el motor del cepillo/almohadilla se apagará.

Disyuntores (consulte la figura 1, elementos "H"- "K")

Los botones de reposición de los disyuntores están ubicados en el panel de control. Los disyuntores están situados de la siguiente forma: Elemento H – Motores del cepillo (30A); elemento I – Motor de desplazamiento (30A); elemento J – Motor de vacío (25A); elemento K – Motor actuador, Cabezal del cepillo (5A)

Cuando se dispare un disyuntor, determine el motor que no está funcionando y gire el interruptor de llave a "OFF" (apagado). Espere cinco minutos y pulse el botón de reposición. Gire el interruptor de llave a "ON" (encendido) y vuelva a intentarlo. Si el disyuntor se dispara de nuevo, hay que ponerse en contacto con una persona del servicio técnico autorizado.

PANEL DE CONTROL DE LA MÁQUINA BOOST 32

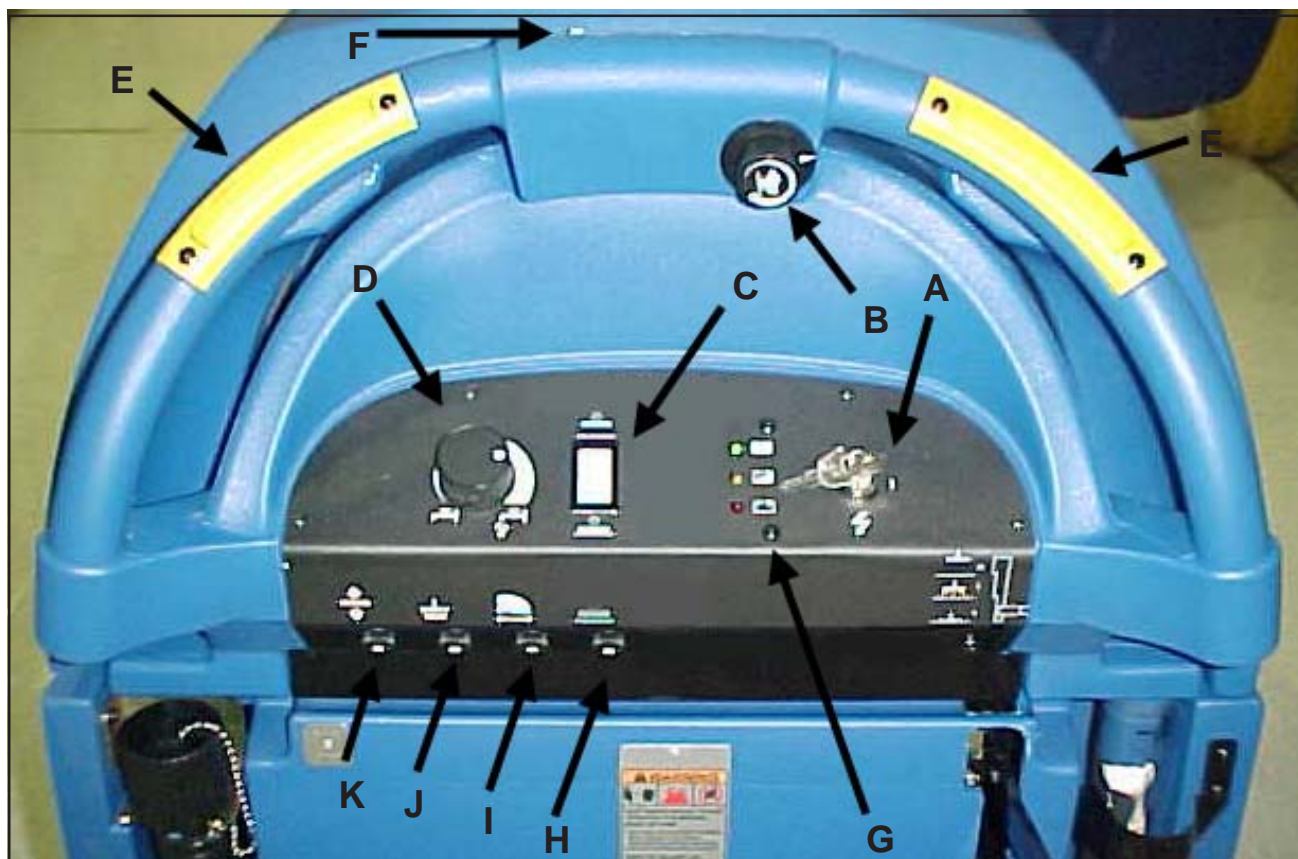


Figura 1

CONTROLES Y CARACTERÍSTICAS DE LA MÁQUINA

Manija de la escobilla de goma Consulte las figuras 3a, 3b y 3c. La manija de la escobilla de goma está ubicada bajo las manijas de control, en el lado derecho. Se utiliza para levantar o bajar la escobilla de goma. El motor de vacío se enciende cuando se baja la manija.

Freno de estacionamiento (Opcional) Consulte la figura 4. El freno de estacionamiento impide el movimiento de la máquina. El freno está ubicado en la parte izquierda del transeje. Para aplicar el freno, apague el interruptor de llave o desconecte la alimentación de la batería.

Se dispone de una palanca mecánica ubicada sobre el freno. Es una palanca de transferencia de mando. Para liberar el freno de forma manual, rote la palanca hacia la parte posterior de la máquina (en sentido contrario a las agujas del reloj). Para volver a colocar el freno en posición normal, o para aplicar el freno, rote la palanca hacia la parte delantera de la máquina (en el sentido de las agujas del reloj). **NOTA: Si se deja la palanca en posición de transferencia de mando, el freno no funcionará al pulsar el interruptor de llave, y la máquina no se pondrá en funcionamiento.**

⚠ PRECAUCIÓN: No active el freno mientras la máquina está en movimiento.

Apagado del flotador Consulte la figura 5. El interruptor de apagado del motor de vacío está ubicado en el depósito de recuperación. Apaga automáticamente el motor de vacío cuando el depósito de recuperación está lleno.



Figura #3a



Figura #3b



Figura #3c

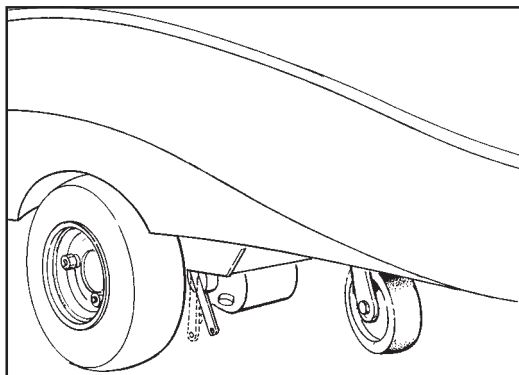


Figura #4



Figura #5

PREPARACIÓN DE LA MÁQUINA PARA EL FUNCIONAMIENTO

Instalación de las baterías

Las máquina utilizan cuatro baterías de 6 voltios. Dichas baterías están situadas en el compartimiento para baterías, debajo del depósito de recuperación.

Para instalar las baterías siga este procedimiento:

1. Apague el interruptor de llave.
2. Compruebe que ambos depósitos estén vacíos.
3. Desconecte las mangueras del depósito de recuperación (depósito superior) y desenchufe el motor de vacío y el interruptor del flotador.
4. Extraiga la abrazadera de apoyo del depósito.
5. Extraiga el depósito de recuperación.
6. Sitúe las baterías en el depósito de solución, como se indica en las figura 6a o 6b.

⚠ ADVERTENCIA: Si se levantan las baterías sin ayuda puede provocarse una lesión. Solicite ayuda para levantar las baterías. Las baterías son pesadas.

⚠ ADVERTENCIA: el trabajo con baterías puede resultar peligroso. Siempre utilice protección ocular y ropas de protección cuando trabaje cerca de las baterías. ¡PROHIBIDO FUMAR!

7. Conecte los cables de las baterías entre baterías, e instale el montaje del cable largo de la batería tal y como se indica. Consulte las figura 6a o 6b.
8. Instale el depósito, volviendo a conectar las mangueras y enchufando el motor de vacío y los conectores del interruptor del flotador. Instale la abrazadera de apoyo del depósito.

NOTA: Cargue las baterías antes de utilizar la máquina.

NOTA: Inspeccione los niveles de agua de la batería antes de utilizarla.

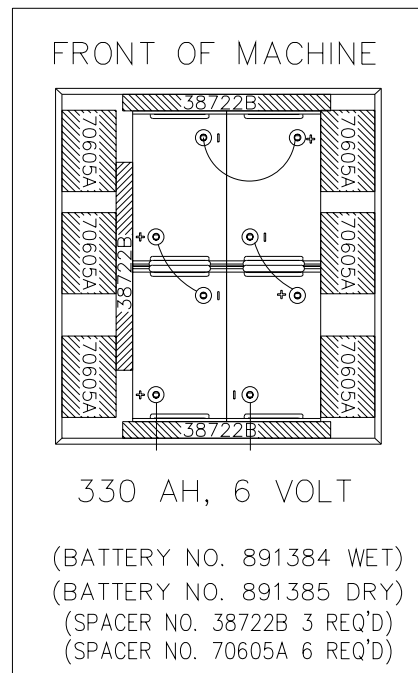


Figura #6a

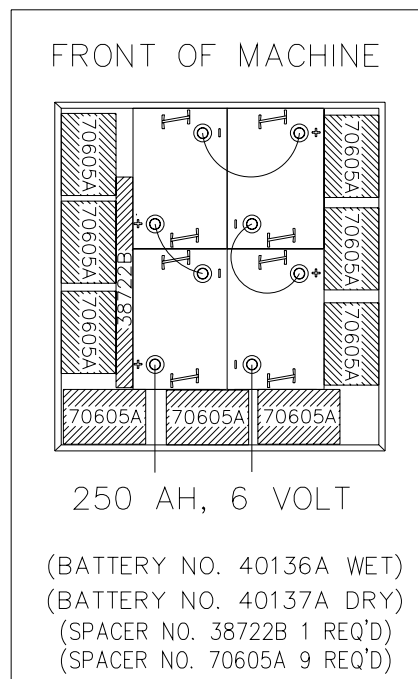


Figura #6b

**PREPARACIÓN DE LA MÁQUINA
PARA EL FUNCIONAMIENTO**

Mantenimiento de las baterías

La energía eléctrica para el funcionamiento de la máquina proviene de las baterías de acumuladores. Las baterías de acumuladores necesitan un mantenimiento preventivo.

⚠️ ADVERTENCIA: El trabajo con baterías puede resultar peligroso. Siempre utilice protección ocular y ropa de protección cuando trabaje cerca de baterías. ¡PROHIBIDO FUMAR!

Para mantener las baterías en buen estado siga estas instrucciones:

1. Mantenga el electrolito al nivel correcto. El nivel correcto se encuentra entre 1/4" (1/2 cm) por debajo del fondo del tubo en cada elemento y por encima de las partes superiores de las placas. Verifique el nivel del electrolito cada vez que cargue las baterías. Consulte la figura 7a.

NOTA: Verifique el nivel del electrolito antes de cargar las baterías. Asegúrese de que las placas en cada elemento estén cubiertas con electrolito. No cubra por completo los elementos antes de cargar la batería. El electrolito se expande durante la carga. Como resultado de ello, el electrolito podría desbordarse de los elementos. Cubra siempre los elementos con agua destilada después de la carga.

⚠️ PRECAUCIÓN: si el nivel del electrolito no cubre las placas, las baterías sufrirán un daño irreversible. Mantenga el electrolito al nivel correcto.

⚠️ PRECAUCIÓN: La máquina se puede dañar y las partes superiores de las baterías pueden descargarse si las baterías se llenan por encima del fondo del tubo en cada elemento. No llene las baterías hasta el fondo del tubo en cada elemento. Limpie cualquier resto de ácido de la máquina o de las partes superiores de las baterías. Nunca agregue ácido a una batería después de su instalación.

⚠️ PRECAUCIÓN: El agua del grifo puede contener elementos contaminantes que dañen las baterías. Sólo se deben recargar las baterías con agua destilada.

2. Mantenga las partes superiores de las baterías limpias y secas. Mantenga los bornes y conectores limpios. Para limpiar la parte superior de las baterías, utilice un trapo mojado con una solución aguada de amoníaco o solución de bicarbonato de sodio. Para limpiar los bornes y conectores, utilice una herramienta de limpieza para bornes y conectores. No permita que entren en las baterías amoníaco ni bicarbonato.
3. Mantenga las baterías cargadas.

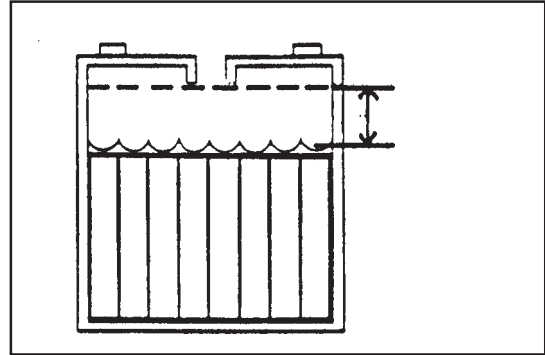


Figura 7a

PREPARACIÓN DE LA MÁQUINA PARA EL FUNCIONAMIENTO

Carga de las baterías

- ⚠ ADVERTENCIA:** La carga de las baterías en una zona sin ventilación adecuada puede producir una explosión. Para evitar una explosión cargue las baterías solamente en áreas con buena ventilación.
- ⚠ ADVERTENCIA:** las baterías de plomo generan gases que pueden causar una explosión. Mantenga las baterías alejadas de chispas y llamas. ¡PROHIBIDO FUMAR!

Para cargar las baterías siga este procedimiento:

1. Asegúrese de que el interruptor de llave se encuentre en la posición "OFF" (apagado).
2. Antes de cargar las baterías, es necesario ventilar el compartimiento para baterías. Para ventilar el compartimiento, voltee el depósito de recuperación hacia arriba, hasta que se trabaje en la posición "abierto" (consulte la figura 8). Para cerrar el depósito, levante el brazo y luego baje lentamente el depósito hacia la posición "cerrado".

⚠ PRECAUCIÓN: Antes de levantar el depósito, asegúrese de que esté vacío.

⚠ ADVERTENCIA: No haga funcionar la máquina ni realice tareas de mantenimiento mientras el depósito de recuperación está en posición "abierto". Podría golpearse accidentalmente el depósito y hacer que éste se cierre bruscamente.

3. Coloque el cargador en una superficie nivelada. Deje un espacio de 5 cm por lo menos entre los orificios de ventilación laterales y las paredes o cualquier otro objeto. Compruebe que no haya ningún objeto cerca de los orificios situados en la parte inferior del cargador.
4. Desconecte el empalmador del grupo de baterías de las baterías.
5. Conecte el empalmador CC del cargador con el empalmador del conjunto de baterías. Véase figura 8A.
6. Conecte el cable de C.A. del cargador de la batería a un receptáculo de pared de 15 amperes (mín.) 120V debidamente conectado a tierra.

NOTA: Compruebe que el circuito en el que desea enchufarlo no esté cargado con otros equipos. Los interruptores de pared pueden activarse y no se producirá la carga.

⚠ ADVERTENCIA: Nunca cargue una batería de GEL con un cargador de batería inadecuado. Siga cuidadosamente las instrucciones provistas por el fabricante de las baterías y del cargador de baterías.

NOTA: Para evitar que las baterías se dañen de forma permanente, evite que se descarguen por completo. Nunca deje las baterías completamente descargadas aún cuando la máquina no se use. Al recargar las baterías, mantenga abierto el depósito de recuperación. Cada 20 operaciones de recarga, verifique el nivel de electrolito, y de ser necesario cubra por completo con agua destilada.

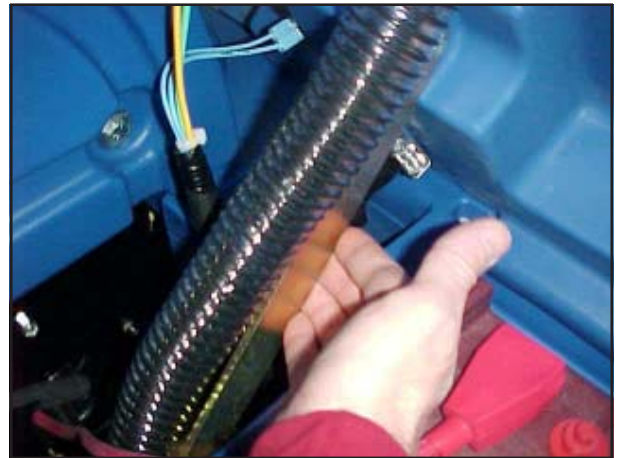


Figura # 8

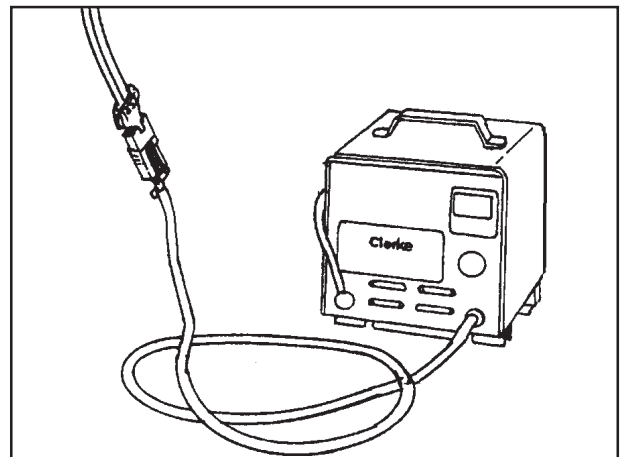


Figura #8A

PREPARACIÓN DE LA MÁQUINA PARA EL FUNCIONAMIENTO

Carga de las baterías (Cargador incorporado opcional)

⚠ ADVERTENCIA: La carga de las baterías en una zona sin ventilación adecuada puede producir una explosión. Para evitar una explosión cargue las baterías solamente en áreas con buena ventilación.

⚠ ADVERTENCIA: las baterías de plomo generan gases que pueden causar una explosión. Mantenga las baterías alejadas de chispas y llamas. **¡PROHIBIDO FUMAR!**

Para cargar las baterías siga este procedimiento:

1. Asegúrese de que el interruptor de llave se encuentre en la posición "OFF" (apagado).
2. Antes de cargar las baterías, es necesario ventilar el compartimiento para baterías. Para ventilar el compartimiento, voltee el depósito de recuperación hacia arriba, hasta que se trabaje en la posición "abierto". Para cerrar el depósito, levante el brazo y luego baje lentamente el depósito hacia la posición "cerrado".

⚠ PRECAUCIÓN: Antes de levantar el depósito, asegúrese de que esté vacío.

⚠ ADVERTENCIA: No haga funcionar la máquina ni realice tareas de mantenimiento mientras el depósito de recuperación está en posición "abierto". Podría golpearse accidentalmente el depósito y hacer que éste se cierre bruscamente.

3. Conecte el cable de C.A. del cargador de la batería ubicado en la parte posterior de la máquina a un receptáculo de pared de 15 amperes (mín.) 120V debidamente conectado a tierra.
4. Observe la luz indicadora para comprobar que el proceso de carga ha comenzado. Si las luces parpadean, esto indica que las baterías se están cargando. La luz verde fija indica que se ha completado la carga de las baterías.

NOTA: Compruebe que el circuito en el que desea enchufarlo no esté cargado con otros equipos. Los interruptores de pared pueden activarse y no se producirá la carga.

⚠ ADVERTENCIA: Nunca cargue una batería de GEL con un cargador de batería inadecuado. Siga cuidadosamente las instrucciones provistas por el fabricante de las baterías y del cargador de baterías.

NOTA: Para evitar que las baterías se dañen de forma permanente, evite que se descarguen por completo. Nunca deje las baterías completamente descargadas aún cuando la máquina no se use. Al recargar las baterías, mantenga abierto el depósito de recuperación. Cada 20 operaciones de recarga, verifique el nivel de electrolito, y de ser necesario cubra por completo con agua destilada.

PREPARACIÓN DE LA MÁQUINA PARA EL FUNCIONAMIENTO

Instalación de la cepillo o la almohadilla

Para instalar el cepillo o la almohadilla en la máquina, siga este procedimiento:

1. Gire el interruptor de llave hasta la posición "ON" (encendido).
2. Sitúe el interruptor del cepillo en la posición "UP" (arriba).
3. Gire el interruptor de llave hasta la posición "OFF" (apagado).
4. Diríjase a la parte delantera de la máquina.
5. Abra la cubierta frontal.
6. Eleve la parte frontal de la placa del cepillo hasta que la clavija se enganche. Ver figura 9.
7. Presione sobre un cepillo o una almohadilla debajo de las placas flexibles.

NOTA: Cuando se utiliza una almohadilla negra, posicione la almohadilla sobre el cabezal. Baje el cabezal y opere momentáneamente para fijar la almohadilla al impulsor de la almohadilla (si tiene dificultad, posicione la almohadilla sobre el piso y baje el cabezal, luego opere.)

8. Eleve la placa frontal del cepillo y tire de la clavija de sujeción hacia afuera, luego desenganche la placa del cepillo. Ver figura 9.

NOTA: La placa del cepillo debe desengancharse antes de cerrar la cubierta frontal o de hacer funcionar la máquina.

9. Cierre la cubierta frontal.

Para extraer el cepillo o la almohadilla de la m

Para extraer el cepillo o la almohadillas de la máquina, siga este procedimiento:

1. Gire el interruptor de llave hasta la posición "ON" (encendido).
2. Sitúe el interruptor del cepillo en la posición "UP" (arriba).
3. Gire el interruptor de llave hasta la posición "OFF" (apagado).
4. Diríjase a la parte delantera de la máquina.
5. Tire del cepillo o de la almohadilla hacia abajo hasta que se suelte de las placas flexibles. Ver figura 11.

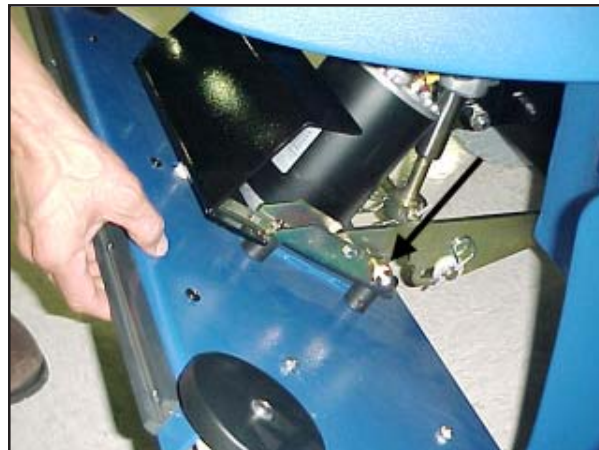


Figura #9



Figura #10

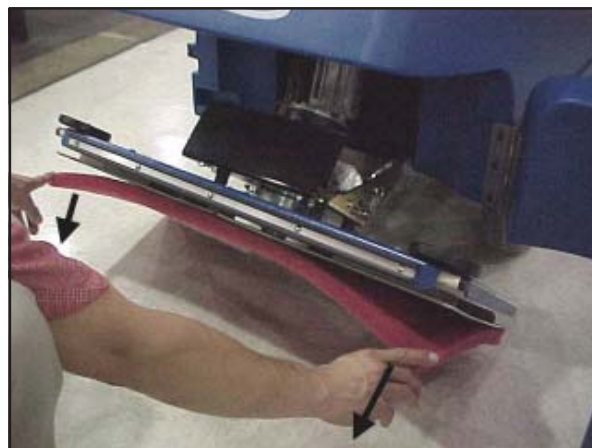


Figura #11

OPERACIÓN DE LA MÁQUINA

Operación de la escobilla de goma

La escobilla de goma limpia el piso mientras el motor de vacío quita la solución sucia del piso. Utilice su mano derecha para levantar o elevar la manija de la escobilla de goma. Para operar la escobilla de goma siga este procedimiento:

1. Para bajar la escobilla de goma y encender el motor de vacío, mueva la palanca de la escobilla de goma hacia la derecha y hacia abajo. Consulte la figura 12.
2. Para levantar la escobilla de goma, levante la palanca de la escobilla hacia arriba. Consulte la figura 13.

Nota: La posición media permite que el motor de vacío continúe funcionando, con la escobilla de goma separada del piso, para evitar goteos.

⚠ PRECAUCIÓN: Compruebe que el agua o la solución no ingresen por la abertura hacia el motor de vacío. Consulte la figura 14.

Llenado del depósito de solución

El depósito de solución puede llenarse por la parte delantera o a través de la manguera de drenaje limpia ubicada en la parte posterior de la máquina. Para cargar el depósito de solución, siga este procedimiento:

1. Extraiga la tapa del depósito de solución. Consulte la figura 15.
2. Llène el depósito de solución con agua.
3. Agregue un químico de limpieza al agua. Para conocer la cantidad correcta del producto químico, siga las instrucciones que figuran en el recipiente.

⚠ ADVERTENCIA: Las soluciones de agua o los materiales de limpieza que se utilizan con este tipo de máquina pueden dejar mojadas algunas zonas del piso. Estas áreas pueden resultar peligrosas para el operador o para otras personas. Coloque siempre avisos de "PRECAUCIÓN" cerca del área que esté limpiando.

⚠ ADVERTENCIA: Las máquinas pueden encender materiales y vapores inflamables. No utilice la máquina con materiales inflamables como gasolina, polvo de cereales, solventes o diluyentes; ni cerca de ellos. Utilice sólo la concentración de limpieza recomendada por el fabricante de productos químicos.

⚠ ADVERTENCIA: Clarke recomienda un máximo de temperatura para el agua de 120°F (49°C).

4. Vuelva a colocar la tapa del depósito de solución.
5. Cuando llene la máquina por la parte posterior, ubique la manguera de drenaje limpia contra la abrazadera e inserte la manguera como se indica en la figura 16. El nivel de solución puede visualizarse desde la parte posterior de la máquina.

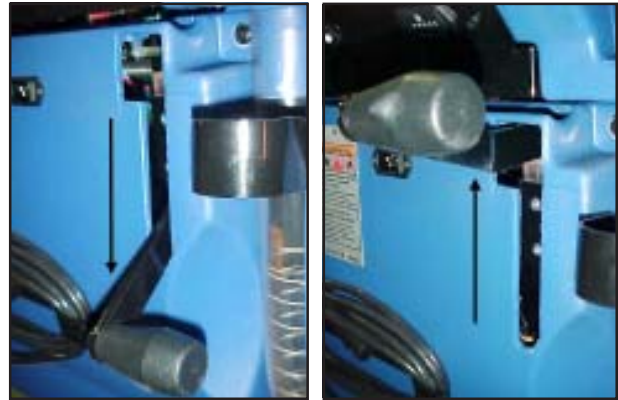


Figura #12

Figura #13



Figura #14



Figura #15



Figura #16

OPERACIÓN DE LA MÁQUINA

Desplazamiento de la máquina

NOTA: Sitúe la máquina en la velocidad de desplazamiento lento (consulte la figura 17). Use la máquina en una zona donde no haya ni muebles ni objetos hasta que pueda hacer lo siguiente:

1. Mover la máquina en línea recta, hacia delante y hacia atrás.
2. Detener la máquina de manera segura.
3. Mover la máquina en línea recta tras girar la misma.

Para mover la máquina siga este procedimiento:

1. Gire el interruptor de llave hasta la posición "ON" (encendido).
2. Sitúe el interruptor del cepillo en la posición "UP" (arriba).
3. Levante la escobilla de goma.
4. Para avanzar hacia adelante, pulse uno o ambos interruptores amarillos de movimiento hacia adelante (consulte la figura 18).
5. Para detener la máquina, suelte los interruptores amarillos de movimiento hacia adelante.
6. Para avanzar hacia atrás, pulse al mismo tiempo el botón blanco de movimiento en reversa y uno de los interruptores amarillos de movimiento hacia adelante (consulte la figura 19).
7. Para hacer girar la máquina, empuje la parte posterior de la misma hacia el lado.
8. Cuando detenga la máquina, gire el interruptor de llave a "OFF" (apagado) ".



Figura # 17



Figura #18

Limpieza de pisos



ADVERTENCIA: Las soluciones de agua o los materiales de limpieza que se utilizan con este tipo de máquina pueden dejar mojadas algunas zonas del piso. Estas áreas pueden resultar peligrosas para el operador o para otras personas. Coloque siempre avisos de "PRECAUCIÓN" cerca del área que esté limpiando.

Para limpiar pisos, siga este procedimiento:

1. Coloque el agua y un producto químico de limpieza en el depósito de solución limpio.
2. Gire el interruptor de llave hasta la posición "ON" (encendido).
3. Baje la escobilla de goma.
4. Sitúe el interruptor del cepillo en la posición "DOWN" (abajo).
5. Ajuste el flujo de solución limpia según desee.
6. Desplace la máquina por el piso, avanzando hacia adelante.
7. Haga un giro de 180°.

NOTA: Cuando realice múltiples pasadas por el piso, deje que el cepillo o la almohadilla limpie aproximadamente 2 pulgadas (5 cm) de la superficie que el cepillo o la almohadilla ya limpió.

NOTA: Durante la mayoría de los procedimientos de limpieza, aplique y quite la solución en una sola operación.



Figura #19

OPERACIÓN DE LA MÁQUINA**Limpieza de pisos muy sucios**

Para limpiar pisos muy sucios, siga este procedimiento:

1. Aplique solución al piso.
2. No baje la escobilla de goma.
3. No active el motor de vacío.
4. Baje los cepillos o la almohadilla y limpie el piso.
5. Deje la solución en el piso por el tiempo suficiente necesario para que la solución comience a actuar.
6. Limpie el piso nuevamente con más solución, recogiendo toda la solución con la escobilla de goma.

**Figura #20****MANTENIMIENTO**

⚠ ADVERTENCIA: El mantenimiento y las reparaciones sólo deben realizarlas personal autorizado.

⚠ ADVERTENCIA: Vacíe siempre el depósito de solución y el de recuperación antes de realizar las tareas de mantenimiento.

⚠ ADVERTENCIA: Mantenga todas las sujeciones apretadas.

Hay que realizar estos procedimientos de mantenimiento todos los días

Mantenga la máquina limpia: necesitará menos reparaciones y tendrá una vida útil más prolongada.

Efectúe estos procedimientos al comienzo del período de trabajo

1. Apague el interruptor de llave.
2. Desenchufe el cargador del tomacorriente de C.A. en máquinas equipadas con cargadores incorporados, enrolle el cable alrededor de la ménsula en la parte posterior de la máquina.
3. En máquinas equipadas con cargadores remotes, desconecte el enchufe del cargador de la batería y el conector del paquete de baterías. Una el conector desde las baterías al conector del cable de la máquina.
4. Compruebe que la tapa del depósito de recuperación esté en su lugar (consulte la figura 20).
5. Compruebe que el filtro de tela metálica sobre el motor de vacío esté limpio y bien colocado (consulte la figura 20).
6. Compruebe que la válvula de la manguera de drenaje de recuperación esté limpia. Cierre y apriete bien la válvula.
7. Asegúrese que el cepillo o la almohadilla esté en posición y se hayan instalado correctamente
8. Verifique la instalación de la escobilla de goma y de la manguera de la misma.

MANTENIMIENTO

Efectúe estos procedimientos al final del período de trabajo

1. Drene el depósito de solución (figura 21, elemento A) y el depósito de recuperación (consulte la figura 21, Elemento B) Para drenar los depósitos, siga este procedimiento:
 - a. Gire el interruptor de llave hasta la posición "OFF" (apagado).
 - b. Extraiga la manguera de drenaje de la parte posterior de la máquina.
 - c. Coloque el extremo de la manguera en un drenaje o en un balde.
 - d. Depósito de recuperación:
Gire el alojamiento de la válvula hacia la izquierda (consulte la figura 22). Para abrir la válvula por completo, gire el alojamiento totalmente hacia la izquierda y separe el alojamiento de la válvula.

Depósito de solución:
Cuando se baja la manguera por debajo del nivel del agua, ésta fluye (consulte la figura 23).
2. Enjuague los depósitos. Para enjuagar los depósitos, coloque agua limpia en el depósito a través de la abertura que se encuentra en la parte superior.
3. Si el depósito o la manguera de drenaje están obstruidos, use alta presión de agua para lavarlos. Coloque la manguera de agua dentro de la manguera de drenaje.
4. Deje las válvulas de drenaje y los depósitos abiertos para que se sequen con el aire.
5. Verifique la hoja de la escobilla de goma. Use una tela para limpiar la hoja de la escobilla de goma. Si la hoja de la escobilla de goma está dañada o gastada, gire o reemplace la hoja.
6. Revise y limpie la junta de la tapa de recuperación. Use una solución de limpieza suave y enjuague las piezas en agua limpia.

Revise las baterías y agregue agua destilada según resulte necesario. El nivel correcto está dentro de ¼ pulgada del fondo del tubo en cada elemento.

⚠ PRECAUCIÓN: El agua del grifo puede contener elementos contaminantes que dañen las baterías. Sólo se deben recargar las baterías con agua destilada.

⚠ ADVERTENCIA: Las baterías de plomo generan gases, los cuales pueden causar una explosión. **PROHIBIDO FUMAR.** Siempre utilice protección ocular y ropa de protección cuando trabaje cerca de baterías.

Utilice un trapo limpio y limpie la superficie de la máquina.

Cargue las baterías. Consulte las instrucciones incluidas en la sección de este manual llamada "Carga de las baterías".

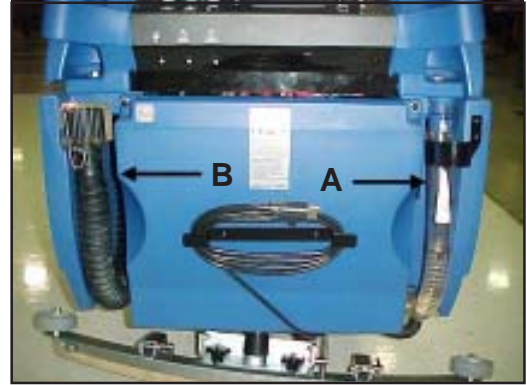


Figura #21



Figura #22



Figura #23

MANTENIMIENTO

Hay que realizar estos procedimientos de mantenimiento todas las semanas:

⚠ ADVERTENCIA: El mantenimiento y las reparaciones sólo deben realizarlas personal autorizado. Vacíe siempre el depósito de solución y el de recuperación antes de realizar las tareas de mantenimiento. Mantenga todas las sujeciones apretadas.

⚠ ADVERTENCIA: Siempre utilice protección ocular y ropa de protección cuando trabaje cerca de baterías. No coloque herramientas ni otros objetos metálicos encima de los bornes de las baterías o de las partes superiores de las mismas.

⚠ PRECAUCIÓN: para evitar daños a la máquina y la descarga de las partes superiores de las baterías, no llene las baterías por encima del fondo del tubo en cada elemento. Limpie cualquier resto de ácido de la máquina o de las partes superiores de las baterías. No agregue ácido a la batería después de su instalación.

NOTA: apague siempre el interruptor de llave antes de reparar o mantener la máquina.

⚠ ADVERTENCIA: utilice protección ocular y ropa de protección cuando trabaje cerca de baterías. ¡PROHIBIDO FUMAR!

1. Para examinar las baterías, voltee el depósito de recuperación hacia arriba hasta que se traben en la posición "arriba". Consulte la figura 24.
2. Desconecte las baterías. Use un paño y una solución de amoníaco o bicarbonato de sodio para limpiar la parte superior de las baterías. Limpie los bornes de las baterías. Vuelva a conectar las baterías.
3. Verifique si las mangueras presentan fugas, obstrucciones o cualquier otro tipo de daño.
4. Inspeccione y limpie el filtro de tela metálica junto con la manguera de solución. Para limpiar la tela metálica, siga este procedimiento:
 - a. Gire la válvula de solución hasta la posición "OFF" (apagado).
 - b. Extraiga y limpie el filtro de tela metálica.
 - c. Instale el filtro de tela metálica. Encienda la válvula de la solución.
5. Utilice una pistola de grasa para lubricar la rueda propulsora y las roldanas pivotantes. Consulte la figura 25.
6. Controle la presión del neumático. La presión del neumático debe ser de aproximadamente 50 psi.



Figura #24

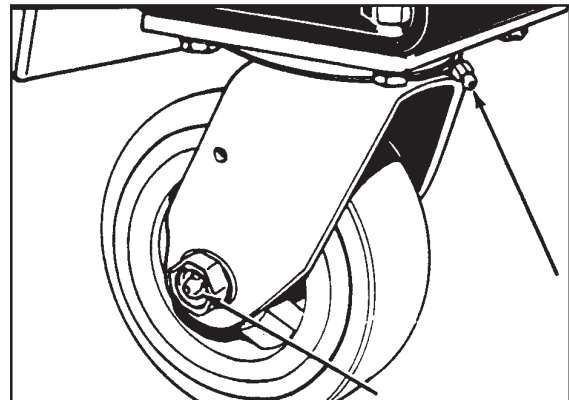


Figura #25

MANTENIMIENTO

7. Inspeccione la escobilla de goma y el cepillo o la almohadilla de limpieza en busca de daños.
8. Examine si la escobilla de goma y la manguera de vacío presentan daños, fugas u obstrucciones.

Mantenimiento de la escobilla de goma

Para extraer la escobilla de goma, siga este procedimiento:

1. Extraiga el montaje de la escobilla aflojando las dos perillas que unen la escobilla a la máquina. Tire y extraiga el montaje de la escobilla de goma. Consulte la figura 26.
2. Examine la hoja de la escobilla de goma.
3. Si la hoja está gastada, gírela, para colocar un nuevo borde en la posición de limpieza.
4. Vuelva a colocar el montaje de la escobilla de goma en la máquina.

Ajuste de la escobilla de goma

Los siguientes parámetros de ajuste son configurados en fábrica; sin embargo, puede que requieran pequeñas modificaciones.

Ajuste de la presión de la escobilla de goma:

Para ajustar la presión, consulte la figura 27. Un ajuste correcto producirá un ancho uniforme a lo largo de la hoja posterior cuando se mueva la máquina hacia delante. Para incrementar la presión, ajuste las tuercas ubicadas a cada lado del brazo oscilante. Para reducir la presión, afloje las tuercas a cada lado del brazo oscilante.

Ajuste de la inclinación de la escobilla de goma:

La inclinación de la escobilla de goma hace que la hoja posterior se levante en el centro o en los extremos, dependiendo de en qué dirección se cambie la inclinación. Para ajustar la inclinación, consulte la figura 28. Afloje el tornillo "X" derecho e izquierdo. Para bajar la hoja posterior en el centro, voltee "Y" hacia abajo. Para bajar ambos extremos, voltee "Y" hacia arriba. Realice ajustes muy pequeños y siga probando hasta lograr un ancho uniforme. Si se cambia la inclinación, puede que sea también necesario realizar ajustes en la presión de la escobilla de goma.

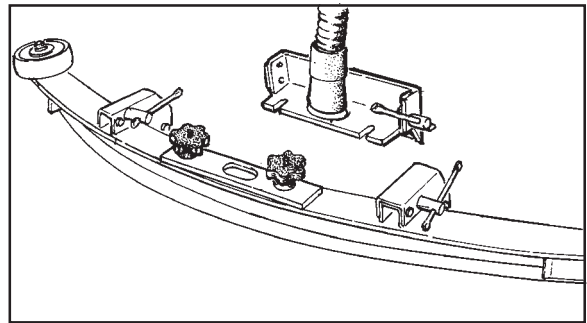


Figura #26

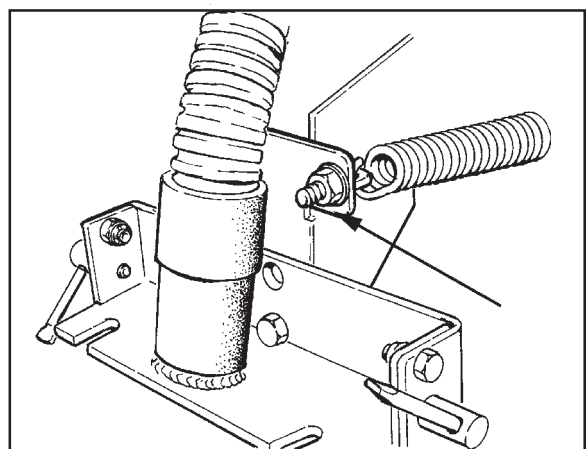


Figura #27

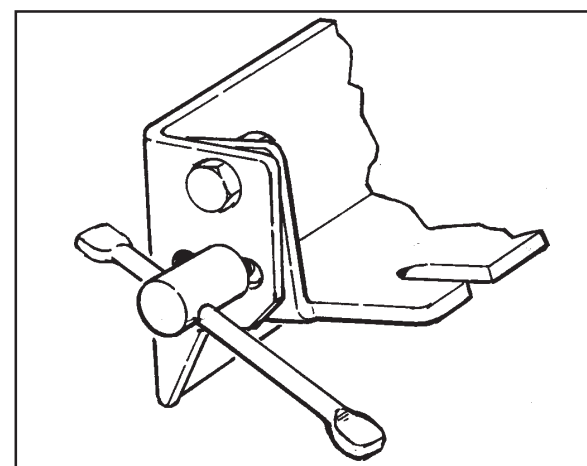


Figura #28

MANTENIMIENTO

Ajuste de las hojas de la escobilla de goma:
 Cuando está instalada de forma correcta, la hoja delantera debe ubicarse a aproximadamente 0,06 por encima de la hoja posterior. Consulte la figura 29.

Ajuste de las ruedas de apoyo de la escobilla de goma:
 Las ruedas de apoyo deben estar a 0,12 del piso, y la hoja posterior debe tocar el piso. Consulte la figura 29.

⚠ ADVERTENCIA: El mantenimiento y las reparaciones sólo deben realizarlas personal autorizado.

⚠ ADVERTENCIA: Las reparaciones eléctricas deben ser llevadas a cabo únicamente por personal autorizado.

Consulte con el personal técnico autorizado de Clarke para realizar los procedimientos de servicio.

Utilice únicamente repuestos originales de Clarke.

Limpieza del tubo de solución

Si el conducto de la solución se atasca, siga este procedimiento:

1. Gire la válvula de solución hasta la posición "OFF" (apagado). Ver figura 30.
2. Extraiga y limpie el filtro de tela matálica.
3. Instale el filtro de tela metálica. Encienda la válvula de la solución.

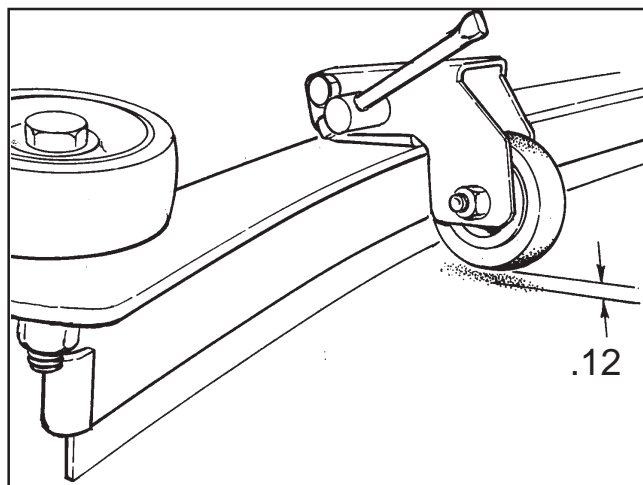


Figura #29

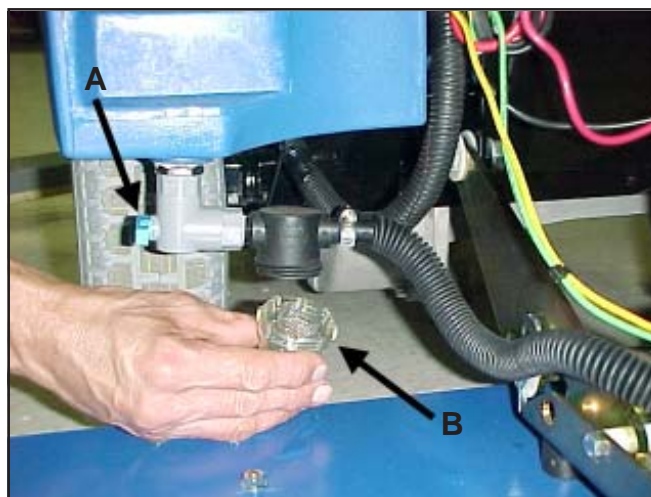


Figura #30

CORRECCIÓN DE PROBLEMAS DE LA MÁQUINA

PROBLEMA	CAUSA	MEDIDA CORRECTIVA
<p>La máquina no quita toda el agua del piso.</p>	<p>La escobilla de goma está levantada.</p> <p>El depósito de la aspiradora está lleno.</p> <p>El filtro de tela metálica está sucio.</p> <p>La escobilla de goma, la manguera de la escobilla de goma o la columna reguladora están dañadas u obstruidas.</p> <p>El motor de vacío no funciona.</p> <p>La manguera de la escobilla de goma está desconectada.</p> <p>La hoja de la escobilla de goma está dañada, gastada o ha sido instalada de forma incorrecta.</p> <p>La presión de la escobilla de goma no está ajustada de forma correcta.</p> <p>Las juntas en la cubierta del depósito de recuperación están dañadas.</p>	<p>Baje la escobilla de goma.</p> <p>Drene el depósito.</p> <p>Limpie el filtro de tela metálica.</p> <p>Elimine la obstrucción o repare el daño.</p> <p>Busque el disyuntor disparado. Haga que una persona del servicio técnico autorizado realice las reparaciones.</p> <p>Conecte la manguera.</p> <p>Reemplace o gire la hoja de la escobilla de goma. Instale la hoja de la escobilla de goma de forma correcta.</p> <p>Ajuste la presión de la escobilla de goma.</p> <p>Reemplace las juntas.</p>
<p>Las baterías no proporcionan el tiempo de funcionamiento normal.</p>	<p>Los bornes de la batería están sucios o dañados.</p> <p>El nivel de electrolito es demasiado bajo.</p> <p>Las baterías no están completamente cargadas.</p> <p>El cargador está dañado.</p> <p>La batería está averiada.</p> <p>Las baterías están desconectadas.</p>	<p>Limpie los bornes y conectores. Reemplace los cables dañados. Cargue las baterías.</p> <p>Agregue agua destilada a cada elemento y cargue las baterías.</p> <p>Cargue las baterías durante una carga completa de 16 horas.</p> <p>Haga que una persona del servicio técnico autorizado repare el cargador.</p> <p>Compruebe la tensión de cada elemento mientras se descarga.</p> <p>Conecte las baterías.</p>
<p>La limpieza es irregular.</p>	<p>Los cepillos de limpieza o las almohadillas están gastados.</p> <p>Se han dañado el montaje del cepillo, las roldanas pivotantes o la válvula de solución.</p> <p>No funcionan los motores del cepillo</p> <p>El nivel de la solución es bajo.</p>	<p>Reemplace los cepillos de limpieza o las almohadillas.</p> <p>Haga que una persona del servicio técnico autorizado realice las reparaciones necesarias.</p> <p>Busque el disyuntor disparado, reponga. Compruebe si alguna conexión está suelta.</p> <p>Llene el depósito de solución. NOTA: si los motores siguen deteniéndose, consulte a una persona del servicio técnico autorizado.</p>
<p>La máquina no funciona.</p>	<p>La máquina pierde potencia.</p>	<p>Reponga el disyuntor.</p> <p>Verifique la conexión de los cables al motor de desplazamiento.</p> <p>Reemplace los fusibles.</p> <p>Compruebe las conexiones de las baterías.</p> <p>Verifique la posición de la palanca de transferencia de mando del freno de estacionamiento (si está instalada) NOTA: si el motor sigue deteniéndose, consulte a una persona del servicio técnico autorizado.</p>

Accesorios

ACCESORIOS

<u>Descripción</u>	<u>Pieza N°</u>
Kit sistema lector de alimentación	11008A
ESP Kit sistema de reciclado	11056A
Montaje de roldana pivotante blanda	52127A
Kit de mantenimiento Clarke	14607A
Rueda propulsora, con relleno de espuma	59955A
<i>Kit Imperial</i> de freno eléctrico de estacionamiento	53657A
Sistema de mantenimiento de batería Clarke (CBMS)	53390A

Hojas opcionales de la escobilla de goma

<u>Máquina</u>	<u>Hoja</u>	<u>Tipo</u>	<u>Material</u>	<u>Longitud</u>	<u>Pieza N°.</u>
32	Interna	Opcional	Uretano, acanalada (60)	40,25"	30953A
32	Interna	Opcional-Inyección	Uretano, dentada, 1/16" (80)	41,00"	30958A
32	Interna	Opcional	Goma, dentada 3/16"	42,12"	30717A
32	Externa	Opcional	Nitrilo, sólida (40)	42,12"	30937A

Almohadillas:

<u>Tamaño</u>	<u>Descripción</u>	<u>Pieza N°</u>
14" x 32"	Rojo (paquette de 5)	997004
14" x 32"	Negro (paquette de 5)	997003
14" x 32"	Blanco (paquette de 5)	997005
14" x 32"	Azul (paquette de 5)	997007

LISEZ CE MANUEL

Ce Manuel contient des informations importantes concernant l'utilisation et le fonctionnement de cette machine dans des conditions de sécurité optimales. La non-lecture de ce manuel avant d'utiliser ou d'entretenir votre machine Clarke risque de provoquer un accident ou d'endommager la machine ou son environnement. Vous devez avoir été formé à l'utilisation de cette machine avant de l'utiliser. Si l'opérateur n'est pas en mesure de lire ce Manuel, il devra se le faire expliquer entièrement avant de tenter d'utiliser cette machine.

Toutes les directions données dans ce Manuel le sont par rapport à la position de l'opérateur, à l'arrière de la machine.

Pour commander un nouveau Manuel, écrivez à : Clarke®, 2100 Highway 265, Springdale, Arkansas 72764.








Table des matières

Consignes de sécurité destinées à l'opérateur.....	51
Introduction	52
Caractéristiques de la machine	53
Procédures de transport	54
Symboles utilisés sur Boost 32	55
Panneau de commandes des machine Boost 32	56
Commandes et fonctions de la machine	58
Préparation de la machine avant son utilisation	59
Installation des batteries	59
Entretien des batteries	60
Chargement des batteries	61
Chargement des batteries (Chargeur intégré optionnel)	62
Installation de brosse ou de disque	62
Retrait de brosse ou de disque	63
Utilisation de la machine	64
Utilisation de la raclette	64
Remplissage du réservoir de solution.....	64
Conduite de la machine	65
Nettoyage d'un sol	65
Maintenance	66
Résolution des problèmes	71
Accessoires	72
Section II Pièces et Manuel d'entretien	73

CONSIGNES DE SECURITE DESTINEES A L'OPERATEUR

- ⚠ DANGER :** La non-lecture et le non-respect des avis de **DANGER** peut entraîner de graves blessures corporelles, voire la mort. Lisez et respectez tous les avis de **DANGER** se trouvant dans le Manuel de l'utilisateur et sur la machine.
- ⚠ AVERTISSEMENT :** En ne lisant pas et en ne respectant pas les **AVERTISSEMENTS**, vous risquez, et d'autres personnes avec vous, d'être victime d'un accident ; des dégâts matériels sont également possibles. Lisez et respectez tous les **AVERTISSEMENTS** se trouvant dans le Manuel de l'utilisateur et sur la machine.
- ⚠ MISE EN GARDE :** La non-lecture et le non-respect des **MISES EN GARDE** risquent d'endommager la machine ou de provoquer d'autres dégâts matériels. Lisez et respectez toutes les **MISES EN GARDE** se trouvant dans le Manuel de l'utilisateur et sur la machine.

- ⚠ DANGER :** La non-lecture du Manuel de l'utilisateur avant d'utiliser ou de tenter d'entretenir votre machine Clarke est susceptible de provoquer un accident ; un ndommagement de la machine ou de son environnement est également possible. Vous devez avoir été formé à l'utilisation de cette machine avant de l'utiliser. Si l'opérateur n'est pas en mesure de lire ce Manuel, il devra se le faire expliquer entièrement avant de tenter d'utiliser cette machine.
- ⚠ DANGER :** L'utilisation d'une machine qui n'est pas entièrement assemblée est susceptible de provoquer un accident ou d'entraîner des dommages. N'utilisez pas cette machine avant qu'elle ne soit complètement assemblée. Inspectez soigneusement la machine avant utilisation.
- ⚠ DANGER :** Les machines peuvent provoquer une explosion lorsqu'elles sont utilisées à proximité de matériaux inflammables et de vapeurs. N'utilisez pas cette machine en présence ou à proximité de combustibles, de poussière agro-alimentaire, de solvants, de diluants ou de toute autre substance inflammable. Cette machine n'a pas été conçue pour recueillir les poussières dangereuses.
- ⚠ DANGER :** Les batteries au plomb génèrent des gaz susceptibles de provoquer une explosion. Tenez les batteries éloignées de toute étincelle et de toute flamme. Ne pas fumer à proximité de la machine. Ne recharger les batteries que dans endroit bien ventilé. Assurez-vous d'avoir débranché le chargeur CA de la prise murale avant de faire fonctionner la machine.
- ⚠ DANGER :** Travailler avec des batteries peut être dangereux ! Portez toujours des lunettes et des vêtements de protection lorsque vous travaillez à proximité des batteries. Enlevez tous vos bijoux. Ne placez aucun outil, ni aucun autre objet métallique sur les bornes de la batterie ou sur le dessus des batteries.
- ⚠ DANGER :** L'utilisation d'un chargeur équipé d'un cordon d'alimentation endommagé peut entraîner un risque d'électrocution. Ne pas utiliser le chargeur si le cordon d'alimentation est endommagé.
- ⚠ AVERTISSEMENT :** L'utilisation de cette machine de tout autre endroit que depuis l'arrière de la machine peut entraîner des blessures ou des dommages. N'utilisez cette machine que depuis l'arrière.
- ⚠ AVERTISSEMENT :** Cette machine est lourde. Faites-vous aider lorsque vous tenter de la transporter ou de la déplacer. Faites-vous aider de deux personnes pour déplacer la machine sur un plan incliné. Déplacez toujours la machine lentement. Ne faites pas tourner la machine sur un plan incliné. Si vous utilisez la machine sur une pente supérieure à 2 %, ne l'arrêtez pas, ne la faites pas tourner et ne la laissez pas stationner. Lisez la section « Procédure relative au transport » de ce manuel avant de transporter la machine.
- ⚠ AVERTISSEMENT :** La machine pourrait se renverser et causer un accident ou provoquer des dégâts si elle utilisée le long d'un escalier ou d'un quai de chargement. N'arrêtez et ne stationner cette machine que sur une surface plane. Lorsque vous arrêtez la machine, mettez le commutateur à clé en position « OFF ». Enclenchez le frein de stationnement.

-  **AVERTISSEMENT** :Les opérations de maintenance et les réparations effectuées par des techniciens non agréés risquent d'entraîner des dommages ou des blessures corporelles. L'entretien et les réparations ne doivent être effectués que par un technicien Clarke agréé.
-  **AVERTISSEMENT** :Toute transformation ou modification apportée à cette machine risque d'endommager la machine ou de blesser l'opérateur et les personnes alentour. Les transformations ou les modifications non autorisées par le fabricant annulent toutes les garanties qui couvrent cette machine.
-  **AVERTISSEMENT** :Les composants électriques de cette machine peuvent provoquer un « court-circuit » s'il sont exposés à l'eau et à l'humidité. Veillez à ce que les composants électriques de la machine soient toujours secs. Essuyez la machine après chaque utilisation. Stockez la machine dans un bâtiment, à l'abri de l'humidité.
-  **AVERTISSEMENT** :L'utilisation d'une machine sans respecter les autocollants de sécurité et les instructions risque de provoquer un accident ou des dégâts matériels. Lisez tous les autocollants de sécurité présents sur la machine avant de l'utiliser. Assurez-vous que tous les autocollants de sécurité et toutes les instructions sont présentes et visibles sur la machine. Vous pouvez obtenir des autocollants et des plaques de rechange auprès de votre revendeur Clarke.
-  **AVERTISSEMENT** :Les sols mouillés peuvent être glissants. Les solutions aqueuses ou les produits de nettoyage utilisés avec ce type de machine peuvent laisser des zones humides au sol. Ces zones peuvent s'avérer dangereuses pour l'opérateur et pour les autres personnes. Veillez à toujours placer une pancarte ATTENTION à proximité de la zone que vous nettoyez.**AVERTISSEMENT** :L'élimination « sauvage » des eaux sales risque d'endommager l'environnement et constitue un délit. L'Agence américaine de protection de l'environnement (US Environmental Protection Agency) a établi un certain nombre de règles concernant l'élimination des eaux usées. De même, une réglementation municipale et nationale relative à l'élimination des eaux sales peut être en vigueur dans votre région. Comprenez et respectez la réglementation en vigueur dans votre région. Soyez conscients des dangers que constituent pour l'environnement les produits chimiques que vous éliminez.
-  **MISE EN GARDE** :L'utilisation de cette machine pour déplacer ou monter sur des objets peut provoquer un accident ou entraîner des dégâts matériels. Ne pas utiliser cette machine comme marchepied ou comme meuble. Do not ride on this machine.
-  **MISE EN GARDE** :La garantie de votre machine sera annulée si vous utilisez d'autres pièces que les pièces d'origine Clarke sur votre machine. N'utilisez que des pièces de rechange Clarke.

Introduction

La toute nouvelle laveuse automatique Boost 32 de Clarke est une machine à laver les sols efficaces et très performantes. La Boost 32 utilise une brosse ou tampon et offre une largeur de nettoyage de 81,28 cm. Une raclette essuie le sol tandis que le moteur d'aspiration enlève la solution sale du sol, le tout simultanément.

La laveuse automatique Boost 32 est livrée complète avec 4 batteries de 6 volts, câbles de connexion pour batteries, deux câbles de batterie, un chargeur de batterie, brosse ou disque et un manuel d'utilisation.

Caractéristiques de la machine

Modèle	Boost 32
Moteur d'aspiration	3/4 ch (0,74kw) 3-temps tangentiel discharge
Alim. électrique	24 volts (batteries de 6 V) 250 Ah, 330 Ah
Réservoir d solution	114 litres
Réservoir de récupération	114 litres
Moteurs, Brosse	3/4 ch PM (0,74 kW)
Moteur de déplacement	0,50 ch PM (0,37 kW)
Brosse	14" x 32" (35.6 cm x 81.3 cm)
Vitesse de la brosse	2250 rpm
Pression de la brosse	120 lbs. (54.4 m/min)
Vitesse en marche avant	Variable jusqu'à 70 m/mn.
Vitesse en marche arrière	Variable jusqu'à 55 m/mn.
Chargeur	24V DC, 25 A, 115/60 Hz, intégré en option
Longueur	67.3" (171 cm)
Largeur - Machine	32.75" (83.2 cm)
Hauteur	43.75" (112 cm)
Vitesse de nettoyage	34,500 sq. ft/hr (3,205 sq. m/hr)
Largeur de nettoyage	32" (81.3 cm)
Grade Cleaning	Angle de 6°
Poids Avec batteries (250AH)	675 livres (306.2 kg)
Poids à l'expédition avec batteries (250AH)	892 livres (404.6 kg)
Niveau sonore	71 dBA
Vibration	<2.5 m/s ²

PROCEDURES DE TRANSPORT**Mettre la machine dans une camionnette ou sur un camion**

 **AVERTISSEMENT : La machine est lourde. Faites-vous aider de deux personnes alides pour aider la machine à monter sur le plan incliné.**

1. Assurez-vous que le plan incliné fait au moins 2,50 m de long, et qu'il est suffisamment solide pour supporter le poids de la machine.
2. Assurez-vous que le plan incliné est propre et sec.
3. Mettez le plan incliné en position.
4. Déposez la raclette.
5. Mettez le commutateur à clé en position « ON ».
6. Alignez la machine sur une surface plane à trois (3) mètres devant le plan incliné.
7. Mettez le commutateur de vitesse de déplacement en position « HI ».
8. Pressez un des deux (ou les deux) commutateurs de déplacement.
9. Poussez la machine vers le sommet du plan incliné.
10. Mettez le commutateur à clé en position « OFF ».
11. Fixez la machine sur le véhicule.

Retrait de la machine d'une camionnette ou d'un camion

1. Assurez-vous que la zone ne comporte aucun obstacle.
2. Assurez-vous que le plan incliné fait au moins 2,50 m de long, et qu'il est suffisamment solide pour supporter le poids de la machine.
3. Assurez-vous que le plan incliné est propre et sec.
4. Mettez le plan incliné en position.
5. Détachez la machine.

 **AVERTISSEMENT : La machine est lourde. Faites-vous aider de deux personnes valides pour aider la machine à descendre le plan incliné.**

6. Mettez le commutateur à clé en position « ON ».
7. Amenez lentement et avec précautions la machine en haut du plan incliné en maintenant enfoncé le commutateur de déplacement ou le commutateur de marche arrière.
8. Mettez le commutateur de vitesse de déplacement en position intermédiaire. Pendant que la machine descend le long du plan incliné, maintenez un faible déplacement vers l'avant en appuyant sur l'un des deux commutateurs de déplacement.
9. Remettez en place la raclette une fois la machine déchargée et prête à être utilisée.

SYMBOLES UTILISES SUR LE MODELE BOOST 32



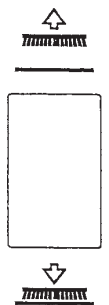
Symbole d'avertissement d'un danger



Indicateur de charge des batteries



Commutateur à clé Marche/Arrêt



Abaissement/relèvement des brosses



Autocollant d'avertissement (avec frein de stationnement)



Niveau de solution



Autocollant d'avertissement (sans frein de stationnement)



Alimentation



Contrôle de la vitesse de déplacement

PANNEAU DE COMMANDE DE MODELE BOOST 32**Commutateur à clé** (Cf. figure 1.A)

Le commutateur à clé permet de mettre le panneau de commandes sous tension. « 0 » correspond à « Arrêt » et « 1 » correspond à « Marche ».

Commutateur de vitesse de déplacement (Cf. Figure 1B)

La commande de vitesse va de vitesse lente à vitesse rapide. Pour augmenter la vitesse, tournez la molette vers la droite. Pour réduire la vitesse, tournez la molette vers la gauche.

Commutateur de position de la tête (Cf. Figure 1C)

Ce commutateur possède deux positions : "Haut" permet de placer les brosses en position haute ; "Bas" permet de poser les brosses sur le sol. Le moteur des brosses démarre lorsque le disque ou la brosse est en position basse et que l'on a appuyé sur le commutateur de déplacement.

Manette de commande de la solution (Cf. Figure 1D)

Le commutateur d'écoulement de la solution régule le débit de l'écoulement de la solution nettoyante sur le sol. Pour augmenter le débit, tournez la molette dans le sens des aiguilles d'une montre. Pour diminuer le débit, tournez la molette dans le sens inverse des aiguilles d'une montre.

Commutateur de marche avant (Cf. figure 1E)

Le commutateur de marche avant déclenche le moteur de déplacement, et si le moteur des brosses est en position basse, il déclenche également le moteur des brosses et le module de commande de la solution. Vous pouvez utiliser le commutateur de gauche ou celui de droite.

Commutateur de marche arrière (Cf. figure 1F)

Lorsqu'il est utilisé conjointement avec l'un des deux commutateurs de marche avant, ce commutateur permet de faire reculer la machine. La vitesse de déplacement en marche arrière est de 30 % inférieure à la vitesse de déplacement en marche avant.

Indicateur de charge des batteries (Cf. Figure 1G)

L'indicateur de charge de la batterie indique que la batterie est en cours de chargement lorsque le chargeur intégré optionnel est branché sur une prise de courant alternatif. Il indique également le niveau de charge restant dans les batteries lorsque la machine fonctionne. Lorsque le niveau de charge de la batterie devient insuffisant, le témoin lumineux rouge commence à clignoter et le moteur de brosse/disque se coupe.

Coupe-circuits (Cf. Figures 1H et 1K)

Les boutons de réinitialisation des coupe-circuits sont situés sur le panneau de commandes. Les coupe-circuits sont situés aux emplacements suivants : Eléments H – Moteurs des brosses (30 A) ; Elément I – Moteur de déplacement (30 A) ; Elément J – Moteur d'aspiration (25 A) ; Elément K – Moteur de l'actionneur des brosses (5 A)

Si un disjoncteur se déclenche, déterminez lequel des moteurs ne fonctionne plus et mettez le commutateur à clé en position « OFF ». Attendez cinq minutes et appuyez sur le bouton de réinitialisation. Mettez le commutateur à clé en position « ON », et ré-essayez. Un technicien agréé doit être contacté si le disjoncteur se déclenche de nouveau.

PANNEAU DE COMMANDE DE MODELE BOOST 32

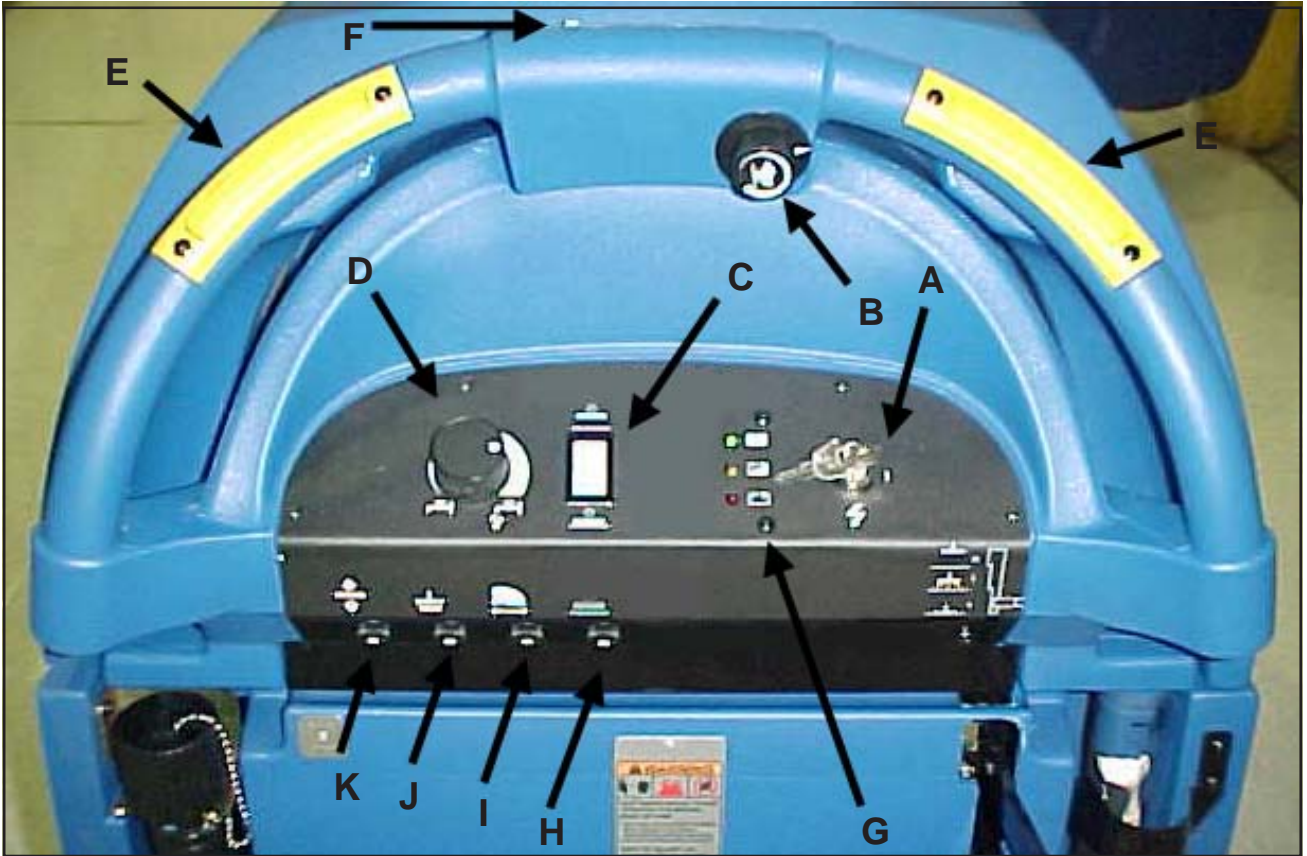


Figure 1

COMMANDES ET FONCTIONNALITES DE LA MACHINE

Manette de relèvement de la raclette Cf. figures 3a, 3b et 3c. La manette de relèvement de la raclette est située sous le panneau de commandes à droite. Elle permet de relever ou d'abaisser la raclette. Le moteur d'aspiration s'allume lorsque la raclette est abaissée.

Frein de stationnement (en option) Cf. figure 4. Le frein de stationnement empêche tout mouvement de la machine. Le frein est situé du côté gauche du moteur de la boîte-pont. Mettez le commutateur à clé en position "off" ou débranchez l'alimentation des batteries pour actionner le frein.

Un levier mécanique est situé sur le frein. Ce levier est une commande d'urgence. Pour relâcher manuellement le frein, faites pivoter le levier vers l'arrière de la machine (dans le sens inverse des aiguilles d'une montre). Pour remettre le frein en position normale ou pour enclencher le frein, faites pivoter le levier vers l'avant de la machine (dans le sens des aiguilles d'une montre). **REMARQUE :** Si le levier est laissé en position d'urgence, le frein ne fonctionnera pas avec le commutateur à clé, et la machine ne fonctionnera pas.

⚠ MISE EN GARDE : Ne pas activer le frein lorsque la machine se déplace.

Arrêt de l'aspiration Cf. figure 5. Le commutateur d'arrêt du moteur d'aspiration est situé dans le réservoir de récupération. Il éteint automatiquement le moteur d'aspiration lorsque le réservoir de récupération est plein.

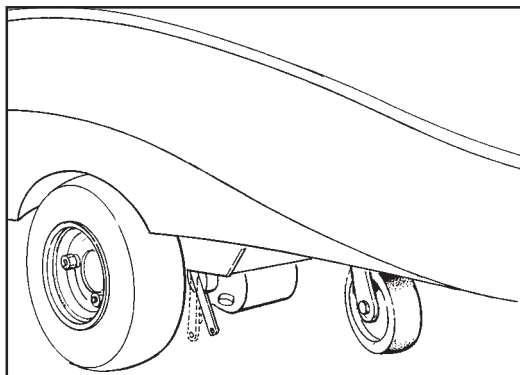


Figure #4



Figure #5



Figure #3a



Figure #3b



Figure #3c

PREPARATION DE LA MACHINE AVANT UTILISATION

Installation des batteries

Le Boost 32 utilisent quatre batteries de 6 volts. Les batteries sont situées dans le compartiment à batteries, sous le réservoir de récupération.

Pour installer les batteries, appliquez la procédure suivante :

1. Mettez le commutateur à clé en position « ON ».
2. Assurez-vous que les deux réservoirs sont vides.
3. Débranchez les flexibles du réservoir de récupération (réservoir supérieur) et mettez les commutateurs du moteur d'aspiration et d'arrêt de l'aspiration en position « Off ».
4. Retirez le dispositif de fixation du réservoir.
5. Déposez le réservoir de récupération.
6. Placez les batteries dans le réservoir de solution comme indiqué dans les figure 6a ou 6b.



AVERTISSEMENT : En soulevant les batteries sans aide, vous risquez de vous blesser. Faites-vous aider pour soulever les batteries. Les batteries sont lourdes.



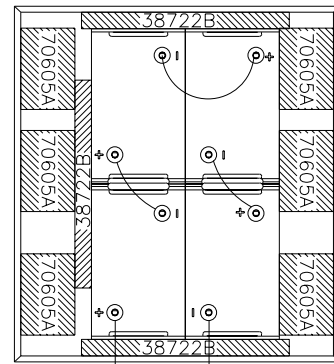
AVERTISSEMENT : Travailler avec des batteries peut être dangereux ! Portez toujours des lunettes et des vêtements de protection lorsque vous travaillez à proximité des batteries.
NE PAS FUMER !

7. Connectez les câbles de batterie entre les batteries et installez un long câble de batterie comme indiqué. Cf. figure 6a ou 6b.
8. Installez le réservoir, rebranchez les flexibles et insérez les connecteurs du moteur d'aspiration et du commutateur d'arrêt de l'aspiration. Remettez le dispositif de fixation du réservoir en place.

REMARQUE: Charger les batteries avant d'utiliser la machine.

REMARQUE: Contrôlez les niveaux d'eau de la batterie avant utilisation.

FRONT OF MACHINE

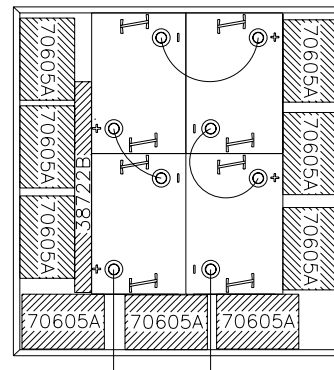


330 AH, 6 VOLT

(BATTERY NO. 891384 WET)
(BATTERY NO. 891385 DRY)
(SPACER NO. 38722B 3 REQ'D)
(SPACER NO. 70605A 6 REQ'D)

Figure #6a

FRONT OF MACHINE



250 AH, 6 VOLT

(BATTERY NO. 40136A WET)
(BATTERY NO. 40137A DRY)
(SPACER NO. 38722B 1 REQ'D)
(SPACER NO. 70605A 9 REQ'D)

Figure #6b

PREPARATION DE LA MACHINE AVANT UTILISATION

Entretien des batteries

L'alimentation électrique de la machine est assurée par des batteries d'accumulateurs. Les accumulateurs nécessitent un entretien préventif.

AVERTISSEMENT : Travailler avec des batteries peut être dangereux ! Portez toujours des lunettes et des vêtements de protection lorsque vous travaillez à proximité des batteries. NE PAS FUMER !

Afin de maintenir les batteries en bon état, suivez ces instructions :

1. Veillez à maintenir en permanence un niveau d'électrolyte suffisant. Le niveau correct se situe entre 1/2 cm en-dessous du fond du tube de chacun des compartiments et au-dessus du sommet des plaques. Vérifiez le niveau d'électrolyte à chaque fois que vous rechargez les batteries. Cf. figure 7b.

REMARQUE : Vérifiez le niveau d'électrolyte avant de recharger les batteries. Assurez-vous que les plaques de chaque compartiment sont recouvertes d'électrolyte. Ne remplissez pas les compartiments avant de recharger la batterie. L'électrolyte augmente de volume lors du chargement. Par conséquent, l'électrolyte risque de déborder des compartiments. Ne complétez le remplissage des compartiments avec de l'eau distillée qu'après le chargement.

⚠ MISE EN GARDE : Les batteries risquent d'être irrémédiablement endommagées si l'électrolyte ne recouvre pas entièrement les plaques. Veillez à maintenir en permanence un niveau d'électrolyte suffisant.

⚠ MISE EN GARDE : Un endommagement de la machine et un déversement des batteries risquent de se produire si les batteries sont trop remplies. Ne remplissez pas les batteries au-delà du fond du tube de chaque cellule. Essuyez toute trace d'acide présente sur la machine ou au sommet des batteries. N'ajoutez jamais d'acide une fois la batterie installée.

⚠ MISE EN GARDE : L'eau du robinet peut contenir des contaminants qui risquent d'endommager les batteries. Les batteries ne doivent être remplies qu'avec de l'eau distillée.

2. Veillez à ce que le dessus des batteries soit toujours propre et sec. Veillez à ce que les bornes et les connecteurs soient propres. Pour nettoyer le dessus des batteries, utilisez un chiffon humidifié avec une légère solution d'ammoniaque ou de bicarbonate de soude. Pour nettoyer les bornes et les connecteurs, utilisez un outil de nettoyage spécifique. Ne laissez pas l'ammoniaque ou le bicarbonate de soude pénétrer dans les batteries.
3. Veillez à ce que les batteries soient chargées.

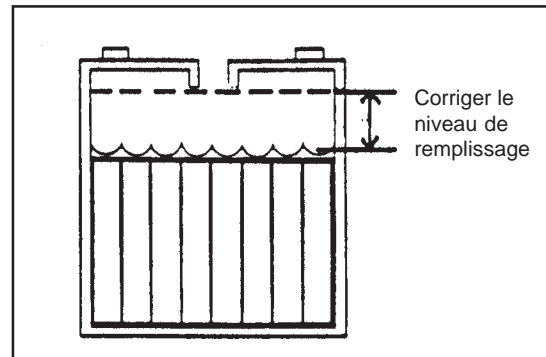


Figure 7b

PREPARATION DE LA MACHINE AVANT UTILISATION

Chargement des batteries

⚠ AVERTISSEMENT : Le chargement des batteries dans une zone sans ventilation adéquate risque d'entraîner une explosion. Afin d'éviter tout risque d'explosion, ne rechargez les batteries que dans endroit bien ventilé.

⚠ AVERTISSEMENT : Les batteries au plomb génèrent des gaz susceptibles d'exploser. Tenez les batteries éloignées de toute étincelle et de toute flamme. **NE PAS FUMER!**

Suivez la procédure ci-dessous pour recharger les batteries :

1. Assurez-vous que le commutateur à clé est en position « OFF ».
 2. Avant de recharger les batteries, le compartiment des batteries doit être ventilé. Pour aérer le compartiment, relevez le réservoir de récupération jusqu'à ce qu'il se verrouille en position ouverte (Cf. figure 8). Pour refermer le réservoir, tirez le levier vers le haut puis abaissez lentement le réservoir jusqu'à ce qu'il se verrouille en position fermée.
- ⚠ MISE EN GARDE :** Veillez à ce que le réservoir soit vide avant de tenter de le soulever.
- ⚠ AVERTISSEMENT :** Ne pas utiliser la machine ou procéder à une opération de maintenance sur cette dernière lorsque le réservoir de récupération est ouvert. Il risque d'être heurté et de se refermer brutalement.
3. Placez le chargeur sur une surface plane. Veillez à laisser un espace d'au moins 5 cm entre les orifices de ventilation latéraux et les murs ou tous autres objets. Vérifiez qu'il n'y a pas d'objets près des orifices situés dans la partie inférieure du chargeur.
 4. Déconnectez le connecteur de l'ensemble batterie des batteries.
 5. Connectez le connecteur CC du chargeur à celui de l'ensemble des batteries. Voir figure 8A
 6. Branchez le cordon d'alimentation CA du chargeur de batterie sur une prise murale de 15 Amp (min.) et de 120V correctement mise à la terre.

REMARQUE : Assurez-vous que le chargeur est branché dans un circuit qui n'est pas déjà utilisé par un autre équipement. Les coupe-circuits pourraient se déclencher et le chargement ne pas s'effectuer.

⚠ AVERTISSEMENT : Ne chargez jamais une batterie sèche avec un chargeur non adapté. Suivez scrupuleusement les instructions données par le fabricant des batteries et du chargeur de batterie.

REMARQUE : Afin d'éviter d'endommager gravement les batteries, évitez de les laisser se décharger complètement. Ne laissez jamais les batteries complètement déchargées, même si la machine n'est pas utilisée. Maintenez le réservoir de récupération ouvert lorsque vous rechargez les batteries. Toutes les 20 opérations de recharge, vérifiez le niveau d'électrolyte et complétez, si nécessaire, avec de l'eau distillée.

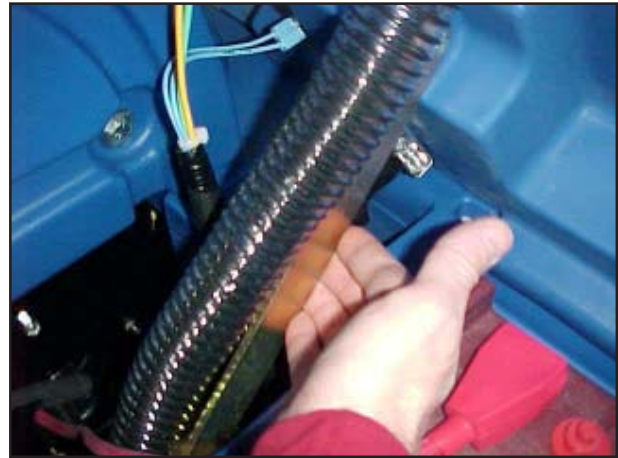


Figure # 8

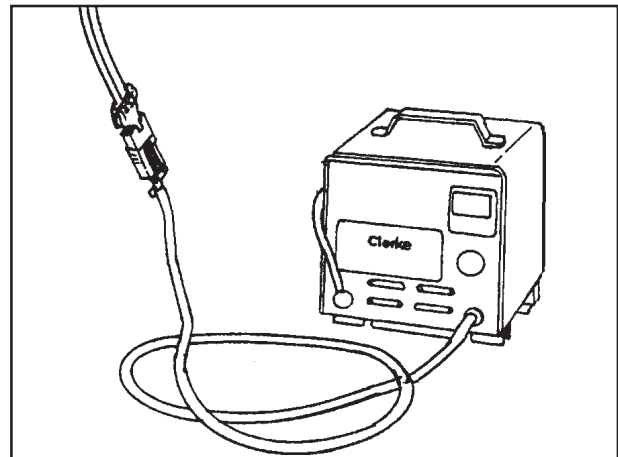


Figure #8A

**PREPARATION DE LA MACHINE
AVANT UTILISATION****Chargement des batteries (Chargeur intégré optionnel)**

⚠ AVERTISSEMENT : Le chargement des batteries dans une zone sans ventilation adéquate risque d'entraîner une explosion. Afin d'éviter tout risque d'explosion, ne rechargez les batteries que dans endroit bien ventilé.

⚠ AVERTISSEMENT : Les batteries au plomb génèrent des gaz susceptibles d'exploser. Tenez les batteries éloignées de toute étincelle et de toute flamme. **NE PAS FUMER!**

Suivez la procédure ci-dessous pour recharger les batteries :

1. Assurez-vous que le commutateur à clé est en position « OFF ».
2. Avant de recharger les batteries, le compartiment des batteries doit être ventilé. Pour aérer le compartiment, relevez le réservoir de récupération jusqu'à ce qu'il se verrouille en position ouverte (Cf. figure 8). Pour refermer le réservoir, tirez le levier vers le haut puis abaissez lentement le réservoir jusqu'à ce qu'il se verrouille en position fermée.

⚠ MISE EN GARDE : Veillez à ce que le réservoir soit vide avant de tenter de le soulever.

⚠ AVERTISSEMENT : Ne pas utiliser la machine ou procéder à une opération de maintenance sur cette dernière lorsque le réservoir de récupération est ouvert. Il risque d'être heurté et de se refermer brutalement.

3. Connectez le cordon d'alimentation CA du chargeur de batterie à une prise murale de 15 A (min.) et de 120V correctement reliée à la terre.
4. Observez le témoin lumineux afin de vous assurer que le processus de charge a bien commencé. Le clignotement des témoins indique que le chargement des batteries est en cours. Un témoin lumineux vert allumé indique que les batteries sont entièrement chargées.

REMARQUE : Assurez-vous que le chargeur est branché dans un circuit qui n'est pas déjà utilisé par un autre équipement. Les coupe-circuits pourraient se déclencher et le chargement ne pas s'effectuer.

⚠ AVERTISSEMENT : Ne chargez jamais une batterie sèche avec un chargeur non adapté. Suivez scrupuleusement les instructions données par le fabricant des batteries et du chargeur de batterie.

REMARQUE : Afin d'éviter d'endommager gravement les batteries, évitez de les laisser se décharger complètement. Ne laissez jamais les batteries complètement déchargées, même si la machine n'est pas utilisée. Maintenez le réservoir de récupération ouvert lorsque vous rechargez les batteries. Toutes les 20 opérations de recharge, vérifiez le niveau d'électrolyte et complétez, si nécessaire, avec de l'eau distillée.

PREPARATION DE LA MACHINE AVANT UTILISATION

Installation de brosse ou de disque

Pour installer le brosse ou le disque sur la machine, procédez comme suit:

1. Mettez le commutateur à clé en position « ON ».
2. Mettez le commutateur de position des brosses en position « UP ».
3. Mettez le commutateur à clé en position « OFF ».
4. Allez à l'avant de la machine.
5. Ouvrez le capot avant.
6. Levez en hauteur sur le côté avant de la plaque des brosses jusqu'à ce que la goupille s'enclenche. Voir figure 9.
7. Appliquez par pression une brosse ou un disque sous les plaques flexibles. Voir figure 10.

NOTE: Lorsque vous utilisez un disque noir, positionnez le disque sur la tête. Abaissez le tête et manœuvrez un moment pour appliquer le disque sur le porte-disque (en cas de difficulté, positionnez le disque sur le sol et abaissez la tête, puis manœuvrez).

8. Levez le plateau des brosses avant et sortez la goupille du loquet en tirant, puis déverrouillez le plateau des brosses.

NOTE: Le plateau des brosses doit être déverrouillé avant de fermer le capot avant ou d'utiliser la machine.

9. Fermez le capot avant.

Retrait de brosse ou de disque

Pour retirer la brosse ou le disque de la machine, procédez comme suit:

1. Mettez le commutateur à clé en position « ON ».
2. Mettez le commutateur de position des brosses en position « UP ».
3. Mettez le commutateur à clé en position « OFF ».
4. Allez à l'avant de la machine.
5. Baissez en tirant sur la brosse ou le disque jusqu'à ce qu'elle ou il se dégage des plaques flexibles. Voir figure 11.

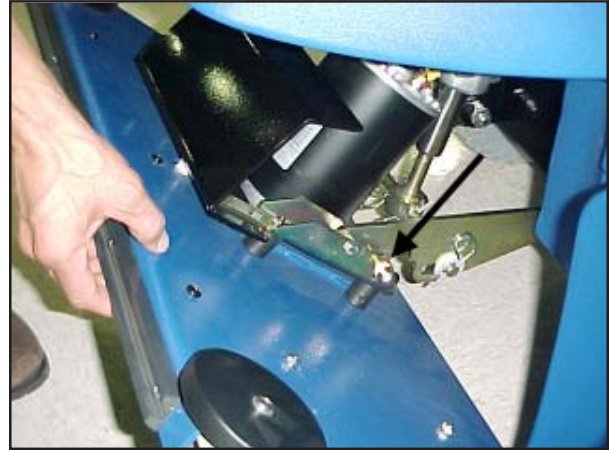


Figure #9



Figure #10



Figure #11

UTILISATION DE LA MACHINE

Utilisation de la raclette

La raclette essuie le sol tandis que le moteur d'aspiration enlève la solution sale du sol. Utilisez votre main droite pour abaisser ou relever la manette de commande de la raclette. Suivez la procédure ci-dessous pour utiliser la raclette :

1. Pour abaisser la raclette et allumer le moteur d'aspiration, déplacez la manette de commande de la raclette vers la droite et vers le bas. Cf. figure 12.
2. Pour relever la raclette, relevez la manette de commande. Cf. figure 13.

Remarque : lorsque la manette est en position centrale, le moteur d'aspiration continue à fonctionner et la raclette n'est plus en contact avec le sol afin d'éviter toute vidange.

⚠ MISE EN GARDE: Faites attention à ce que l'eau ou la solution ne pénètre pas par l'ouverture du moteur d'aspiration. Cf. figure 14.

Remplissage du réservoir de solution

Le réservoir de solution peut être rempli par l'avant ou à l'aide du tuyau de vidange situé à l'arrière de la machine. Appliquez la procédure suivante pour remplir le réservoir de solution :

1. Retirez le couvercle du réservoir de solution. Cf. figure 15.
2. Remplissez le réservoir de solution avec de l'eau.
3. Ajoutez un agent nettoyant dans l'eau. Consultez les indications figurant sur le bidon pour connaître la quantité correcte.

⚠ AVERTISSEMENT: Les solutions aqueuses ou les produits de nettoyage utilisés avec ce type de machine peuvent laisser des zones humides au sol.

Ces zones peuvent s'avérer dangereuses pour l'opérateur et pour les autres personnes. Veillez à toujours placer une pancarte ATTENTION à proximité de la zone que vous nettoyez.

⚠ AVERTISSEMENT: Les machines peuvent enflammer les matériaux inflammables et les vapeurs. N'utilisez pas cette machine avec ou à proximité de combustibles, de poussière agro-alimentaire, de solvants et de diluants. N'utilisez que la concentration de liquide de nettoyage recommandée par le fabricant du produit.

⚠ AVERTISSEMENT: Clarke recommande une température d'eau maximum de 49°C.

4. Remettez le couvercle du réservoir de solution en place.
5. Lorsque vous remplissez la machine par l'arrière, positionnez le flexible de vidange contre la fixation et insérez le flexible comme indiqué dans la figure 16. Le niveau de solution peut être vérifié depuis l'arrière de la machine.



Figure #12



Figure #13



Figure #14



Figure #15



Figure #16

UTILISATION DE LA MACHINE

Conduite de la machine

REMARQUE : Mettez la machine en vitesse lente (Cf. figure 17). Utilisez la machine dans une zone ne comportant ni meubles, ni objets jusqu'à ce que vous sachiez faire les choses suivantes :

1. Déplacez la machine en ligne droite, en avant et en arrière.
2. Arrêter la machine en toute sécurité.
3. Déplacez la machine en ligne droite après l'avoir fait tourner.
Suivez la procédure ci-dessous pour déplacer la machine :
 1. Mettez le commutateur à clé en position « ON ».
 2. Mettez le commutateur de position des brosses en position « UP ».
 3. Relevez la raclette.
 4. Pour avancer, poussez l'un des deux (ou les deux) commutateurs jaunes de marche avant (Cf. figure 18).
 5. Pour stopper la machine, relâchez les commutateurs jaunes de marche avant.
 6. Pour reculer, enfoncez simultanément le bouton blanc de marche arrière et l'un des commutateurs jaunes de marche avant (Cf. figure 19).
 7. Pour faire tourner la machine, pousser l'arrière de la machine vers le côté.
 8. Lorsque vous arrêtez la machine, mettez le commutateur à clé en position « OFF ».



Figure # 17



Figure #18

Nettoyage d'un sol

⚠ AVERTISSEMENT : Les solutions aqueuses ou les produits de nettoyage utilisés avec ce type de machine peuvent laisser des zones humides au sol. Ces zones peuvent s'avérer dangereuses pour l'opérateur et pour les autres personnes. Veillez à toujours placer une pancarte ATTENTION à proximité de la zone que vous nettoyez.

Pour nettoyer un sol, appliquez la procédure suivante :

1. Mettez de l'eau et un agent chimique nettoyant dans le réservoir de solution.
2. Mettez le commutateur à clé en position « ON ».
3. Abaissez la raclette.
4. Mettez le commutateur de position des brosses en position « DOWN ».
5. Réglez le débit d'écoulement de la solution selon vos besoins.
6. Faites avancer la machine sur le sol.
7. Faites un virage à 180°.

REMARQUE : Lorsque vous effectuez des passages multiples sur le sol, faites en sorte que la brosse ou le disque repasse sur une bande d'environ 5 cm déjà nettoyée par la brosse ou le disque (faire chevaucher les passages).

REMARQUE : Lors de la plupart des opérations de nettoyage, vous appliquerez et retirerez la solution en une seule et même opération.



Figure #19

OPERACIÓN DE LA MÁQUINA**Limpeza de pisos muy sucios**

Para limpiar pisos muy sucios, siga este procedimiento:

1. Aplique solución al piso.
2. No baje la escobilla de goma.
3. No active el motor de vacío.
4. Baje la cepillo ou de disque y limpie el piso.
5. Deje la solución en el piso por el tiempo suficiente necesario para que la solución comience a actuar.
6. Limpie el piso nuevamente con más solución, recogiendo toda la solución con la escobilla de goma.



Figure #20

MANTENIMIENTO

⚠️ ADVERTENCIA: El mantenimiento y las reparaciones sólo deben realizarlas personal autorizado.

⚠️ ADVERTENCIA: Vacíe siempre el depósito de solución y el de recuperación antes de realizar las tareas de mantenimiento.

⚠️ ADVERTENCIA: Mantenga todas las sujeciones apretadas.

Hay que realizar estos procedimientos de mantenimiento todos los días

Mantenga la máquina limpia: necesitará menos reparaciones y tendrá una vida útil más prolongada.

Efectúe estos procedimientos al comienzo del período de trabajo

1. Apague el interruptor de llave.
2. Débranchez le chargeur de la prise CA (pour les machines équipées de chargeurs intégrés) et enroulez le cordon autour de son support situé à l'arrière de la machine.
3. Pour les machines équipées de chargeurs à distance, débranchez la prise située sur le chargeur de batterie et le connecteur du bloc des batteries. Connectez le connecteur provenant des batteries au connecteur du câble de la machine.
4. Compruebe que la tapa del depósito de recuperación esté en su lugar (consulte la figura 20).
5. Compruebe que el filtro de tela metálica sobre el motor de vacío esté limpio y bien colocado (consulte la figura 20).
6. Compruebe que la válvula de la manguera de drenaje de recuperación esté limpia. Cierre y apriete bien la válvula.
7. Assurez-vous que la brosse/disque sont en position et correctement installés.
8. Verifique la instalación de la escobilla de goma y de la manguera de la misma.

ENTRETIEN

Procédures à appliquer à la fin de la session de travail

1. Vidangez le réservoir de solution (figure 21A) et le Réservoir de récupération (figure 21 B). Pour vidanger les réservoirs, appliquez la procédure suivante :
 - a. Mettez le commutateur à clé en position « OFF ».
 - b. Retirez le flexible de l'arrière de la machine.
 - c. Placez l'extrémité du flexible au-dessus d'un point d'écoulement des eaux ou d'un seau.
 - d. Réservoir de récupération :
Tournez le corps de valve vers la gauche (voir figure 22). Pour ouvrir complètement la valve, tournez le corps de valve entièrement vers la gauche et sortez le corps de valve.
- Réservoir de solution :
Lorsque le flexible est placé en-dessous du niveau de l'eau, l'eau commence à s'écouler (Cf. figure 23).
2. Rincez les réservoirs à grande eau. Pour rincer les réservoirs, mettez de l'eau propre dans le réservoir en utilisant son orifice supérieur.
3. Si le réservoir ou le flexible de vidange est bouché, utilisez de l'eau sous pression pour rincer le réservoir ou le flexible. Mettez le tuyau d'eau dans le flexible de vidange.
4. Laissez les réservoirs et les valves des flexibles sécher à l'air libre.
5. Vérifiez le balai de la raclette. Utilisez un chiffon pour nettoyer le balai de la raclette. Si le balai de la raclette est abîmé ou usé, retournez-le ou remplacez-le.
6. Vérifiez et nettoyez la fixation du couvercle du réservoir de récupération. Utilisez une solution nettoyante douce et rincez les pièces à l'eau claire.

Vérifiez les batteries et ajoutez de l'eau distillée si nécessaire. Le niveau maximum se situe à 6 mm du fond du tube de chaque cellule.

⚠ MISE EN GARDE : L'eau du robinet peut contenir des contaminants qui risquent d'endommager les batteries. Les batteries ne doivent être remplies qu'avec de l'eau distillée.

⚠ AVERTISSEMENT : Les batteries au plomb génèrent des gaz susceptibles de provoquer une explosion. NE PAS FUMER. Portez toujours des lunettes et des vêtements de protection lorsque vous travaillez à proximité des batteries.

Utilisez un chiffon propre pour essuyer la surface de la machine.

Chargez les batteries. Consultez les instructions données dans la section de ce Manuel intitulée « Rechargement de la batterie ».

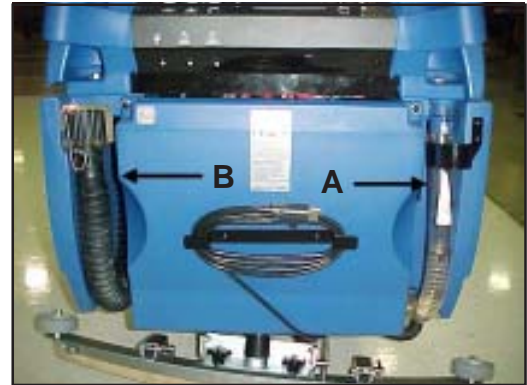


Figure #21



Figure #22



Figure #23

ENTRETIEN

Ces opérations de maintenance doivent être faites toutes les semaines:

⚠ AVERTISSEMENT : L'entretien et les réparations ne doivent être effectués que par un technicien agréé. Videz toujours les réservoirs de solution et de récupération avant toute opération de maintenance. Veillez à ce que tous les dispositifs de fixation soient serrés.

⚠ AVERTISSEMENT : Portez toujours des lunettes et des vêtements de protection lorsque vous travaillez à proximité des batteries. Ne placez aucun outil, ni aucun autre objet métallique sur les bornes de la batterie ou sur le dessus des batteries.

⚠ MISE EN GARDE : Afin d'éviter d'endommager la machine, et d'éviter tout débordement de la batterie, ne remplissez pas les batteries au-delà du sommet du tube de chaque compartiment. Essuyez toute trace d'acide présente sur la machine ou au sommet des batteries. N'ajoutez jamais d'acide dans les batteries une fois celles-ci installées.

REMARQUE : Mettez toujours le commutateur à clé en position « off » avant de procéder à une opération de maintenance sur la machine.

AVERTISSEMENT : Portez toujours des lunettes de protection et des vêtements adaptés lorsque vous travaillez à proximité des batteries. **NE PAS FUMER !**

1. Pour inspecter les batteries, relevez le réservoir de récupération jusqu'à ce qu'il se verrouille en position haute. Voir la figure 24.
2. Déconnectez les batteries. Utilisez un chiffon et une solution d'ammoniaque ou de bicarbonate de soude pour essuyer le dessus des batteries. Nettoyez les bornes de la batterie. Reconnectez les batteries.
3. Vérifiez que les flexibles ne présentent aucune fuite, aucune obstruction et aucun autre dommage.
4. Vérifiez et nettoyez le filtre ainsi que le flexible de la soution. Suivez la procédure ci-dessous pour nettoyer le filtre :
 - a. Fermez la vanne d'arrivée de la solution.
 - b. Retirez et nettoyez le filtre.
 - c. Installez le filtre. Ouvrez la vanne d'arrivée de la solution.
5. Utilisez un pistolet graisseur pour lubrifier la roue d'entraînement et les galets pivotants. Cf. figure 25.
6. Vérifiez la pression des pneus. Celle-ci doit être d'environ 50 psi.



Figure #24

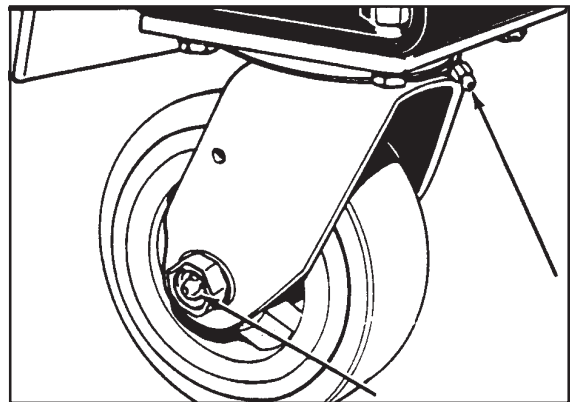


Figure #25

ENTRETIEN

7. Vérifiez que la raclette et la brosse ou le disque ne sont pas endommagés.
8. Vérifiez que la raclette et que le flexible d'aspiration ne sont pas endommagés, ne fuient pas et ne sont pas bouchés.

Entretien de la raclette

Suivez la procédure ci-dessous pour retirer la raclette :

1. Retirez la raclette en dévissant les deux molettes de fixation qui retiennent la raclette sur la machine. Déposez la raclette. Cf. figure 26.
2. Vérifiez le balai de la raclette.
3. Si le balai est usé, tournez-le jusqu'à ce qu'une nouvelle arête soit en position de nettoyage.
4. Réinstallez la raclette sur la machine.

Réglage de la raclette

Les réglages suivants sont effectués en usine, cependant ils peuvent nécessiter un léger ajustement.

Réglage de la pression de la raclette:

Référez-vous à la figure 27 pour régler la pression de la raclette. Un réglage correct génère une courbure régulière du balai arrière lorsque la machine avance. Pour augmenter la pression, serrez les écrous situés de chaque côté du bras pivotant. Pour réduire la pression, dévissez les écrous situés de chaque côté.

Réglage de l'inclinaison de la raclette:

L'inclinaison de la raclette permet au balai arrière de se relever au centre ou aux extrémités, en fonction de la direction dans laquelle l'inclinaison a été modifiée. Pour régler l'inclinaison, référez-vous à la figure 28. Dévissez les vis "X" gauche et droite. Afin d'abaisser le balai arrière au centre, placez "Y" vers le bas. Pour abaisser les deux extrémités, placez "Y" vers le haut. Procédez par très petits ajustements et continuez jusqu'à ce qu'une déformation uniforme soit atteinte. La modification de l'inclinaison peut nécessiter un réglage de la pression exercée sur la raclette.

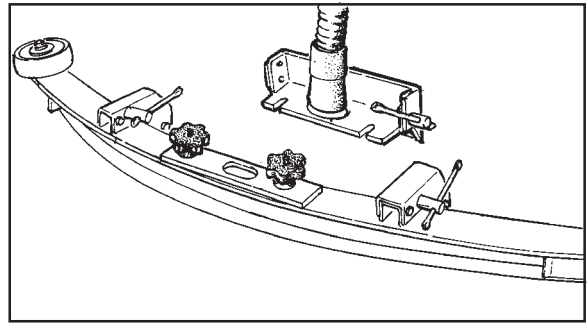


Figure #26

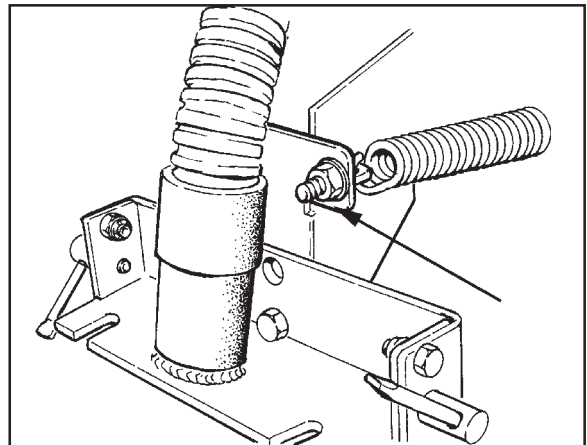


Figure #27

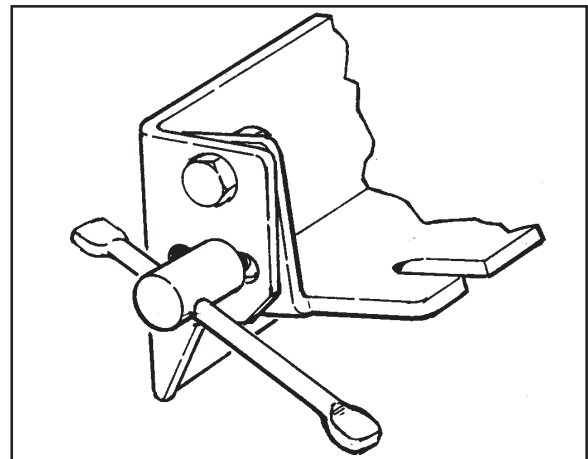


Figure #28

ENTRETIEN**Réglage des balais de la raclette:**

Lorsqu'il est correctement installé, le balai avant doit être à environ 06 au-dessus du balai arrière. Cf. figure 29.

Réglage des roues de maintien de la raclette :

Les roues de maintien doivent être réglées à environ 12 au-dessus du sol le balai arrière touchant le sol. Cf. figure 29.

⚠ AVERTISSEMENT : L'entretien et les réparations doivent être effectués par du personnel autorisé.

⚠ AVERTISSEMENT : L'entretien et les réparations ne doivent être effectués que par un technicien agréé.

Consultez votre personnel d'entretien agréé Clarke pour effectuer les procédures d'entretien.

N'utilisez que des pièces d'origine Clarke.

Nettoyage du tuyau d'écoulement de la solution

En cas d'obstruction du tuyau de solution, procédez comme suit:

1. Fermez la vanne d'arrivée de la solution. Voir Figure 30.
2. Retirez et nettoyez le filtre.
3. Installez le filtre. Ouvrez la vanne d'arrivée de la solution.

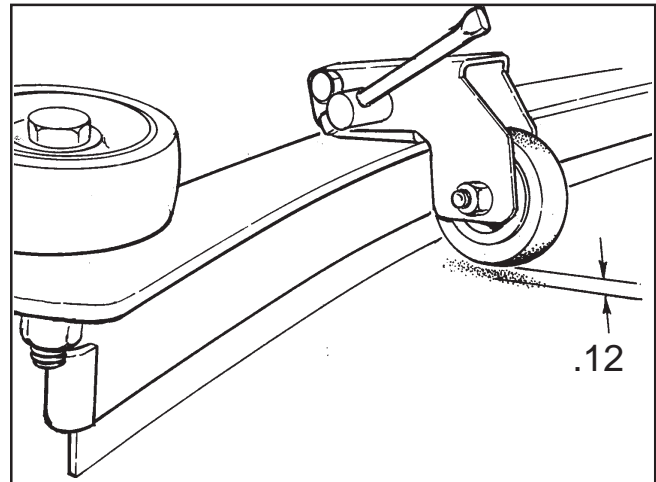


Figure #29

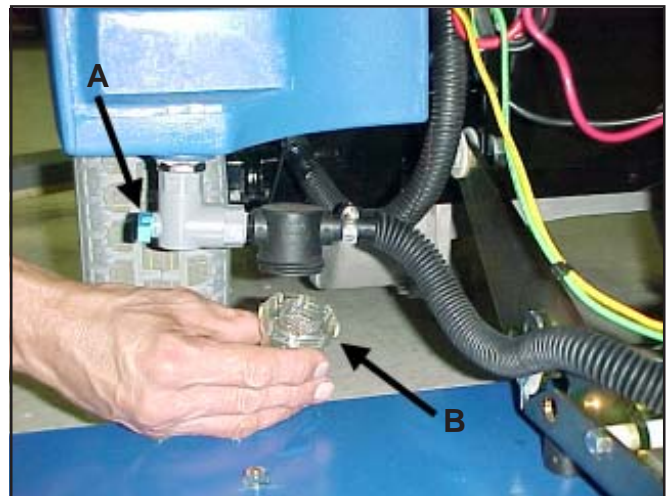


Figure #30

RESOLUTION DES PROBLEMES RENCONTRES AVEC LA MACHINE

PROBLEME	CAUSE	ACTION
La machine ne récupère pas toute l'eau présente sur le sol.	<p>La raclette est relevée.</p> <p>Le réservoir de récupération est plein.</p> <p>Le filtre de solution est sale.</p> <p>La raclette, son flexible ou son tuyau sont bouchés ou endommagés.</p> <p>Le moteur d'aspiration ne fonctionne pas.</p> <p>Le flexible de la raclette est déconnecté.</p> <p>Le balai de la raclette est endommagé, usé ou mal installé.</p> <p>La pression de la raclette est mal réglée.</p> <p>Les joints du couvercle du réservoir de récupération sont endommagés.</p>	<p>Abaissez la raclette.</p> <p>Vidangez le réservoir.</p> <p>Nettoyez le filtre.</p> <p>Débouchez-le ou réparez-le.</p> <p>Vérifiez le disjoncteur qui s'est déclenché. Faites réparer la machine par un technicien agréé.</p> <p>Connectez le flexible.</p> <p>Remplacez ou retournez les balais de la raclette. Installez correctement le balai de la raclette.</p> <p>Réglez la pression exercée sur la raclette.</p> <p>Remplacez les joints.</p>
Les batteries ne fonctionnent pas aussi longtemps que prévu.	<p>Les bornes des batteries sont sales ou endommagées.</p> <p>Le niveau d'électrolyte est trop bas.</p> <p>Les batteries ne sont pas entièrement chargées.</p> <p>Le chargeur est endommagé.</p> <p>La batterie est défectueuse.</p> <p>Les batteries sont débranchées.</p>	<p>Nettoyez les bornes et les connecteurs. Remplacez les câbles endommagés. Chargez les batteries.</p> <p>Ajoutez de l'eau distillée dans chaque cellule et rechargez les batteries.</p> <p>Rechargez les batteries pendant un cycle complet de charge de 16 heures.</p> <p>Faites réparer le chargeur par un technicien agréé.</p> <p>Vérifiez la tension de chaque cellule pendant le déchargement.</p> <p>Connectez les batteries.</p>
Le nettoyage est irrégulier.	<p>Les brosses ou les disques sont usés.</p> <p>La brosse, les galets pivotants ou la valve du réservoir de solution sont endommagés.</p> <p>Le moteur des brosses ne fonctionne pas.</p> <p>Le niveau de solution est faible.</p>	<p>Remplacez la brosse ou le disque.</p> <p>Faites réparer la machine par un technicien agréé.</p> <p>Vérifiez le disjoncteur et réinitialisez-le. Vérifiez que les connexions sont correctes.</p> <p>Remplissez le réservoir de solution.</p> <p>REMARQUE : si le moteur continue à s'arrêter, consultez un technicien agréé.</p>
La machine ne démarre pas.	<p>La machine perd de la puissance.</p>	<p>Initialisez le coupe-circuit. Vérifiez les connexions du câble au moteur de déplacement. Remplacez les fusibles.</p> <p>Vérifiez les connexions de la batterie.</p> <p>Vérifiez la position du levier du frein de stationnement (s'il est installé)</p> <p>REMARQUE : si le moteur continue à s'arrêter, consultez un technicien agréé.</p>

Accessoires

ACCESSOIRES

<u>Description</u>	<u>N° de pièce</u>
Power Wand System Kit	11008A
Kit système de recyclage ESP	11056A
Soft Caster Asm.	52127A
Kit d'entretien Clarke	14607A
Roue, remplie de mousse	59955A
Kit frein de stationnement électrique <i>Imperial</i>	53657A
Système de maintenance de la batterie Clarke (CBMS)	53390A

Balais de raclette en option:

Machine	Balai	Type	Matériau	Longueur	N° de pièce
32	Intérieur	En option	Uréthane, nervuré (60)	40.25"	30953A
32	Intérieur	En option-Injecté	Uréthane, à encoches, 1/16" (80)	41.00"	30958A
32	Extérieur	En option	Nitrile, Solide (40)	42.12"	30937A
32	Intérieur	En option	Caoutchouc, avec encoche 3/16"	42.12"	30717A

Disque :	Taille	Description	N° de pièce
	35,56 x 81,28	Rouge (pack de 5)	997004
	35,56 x 81,28	Noir (pack de 5)	997003
	35,56 x 81,28	Blanc (pack de 5)	997005
	35,56 x 81,28	Bleu (pack de 5)	997007

Clarke[®]

BOOST[™] 32

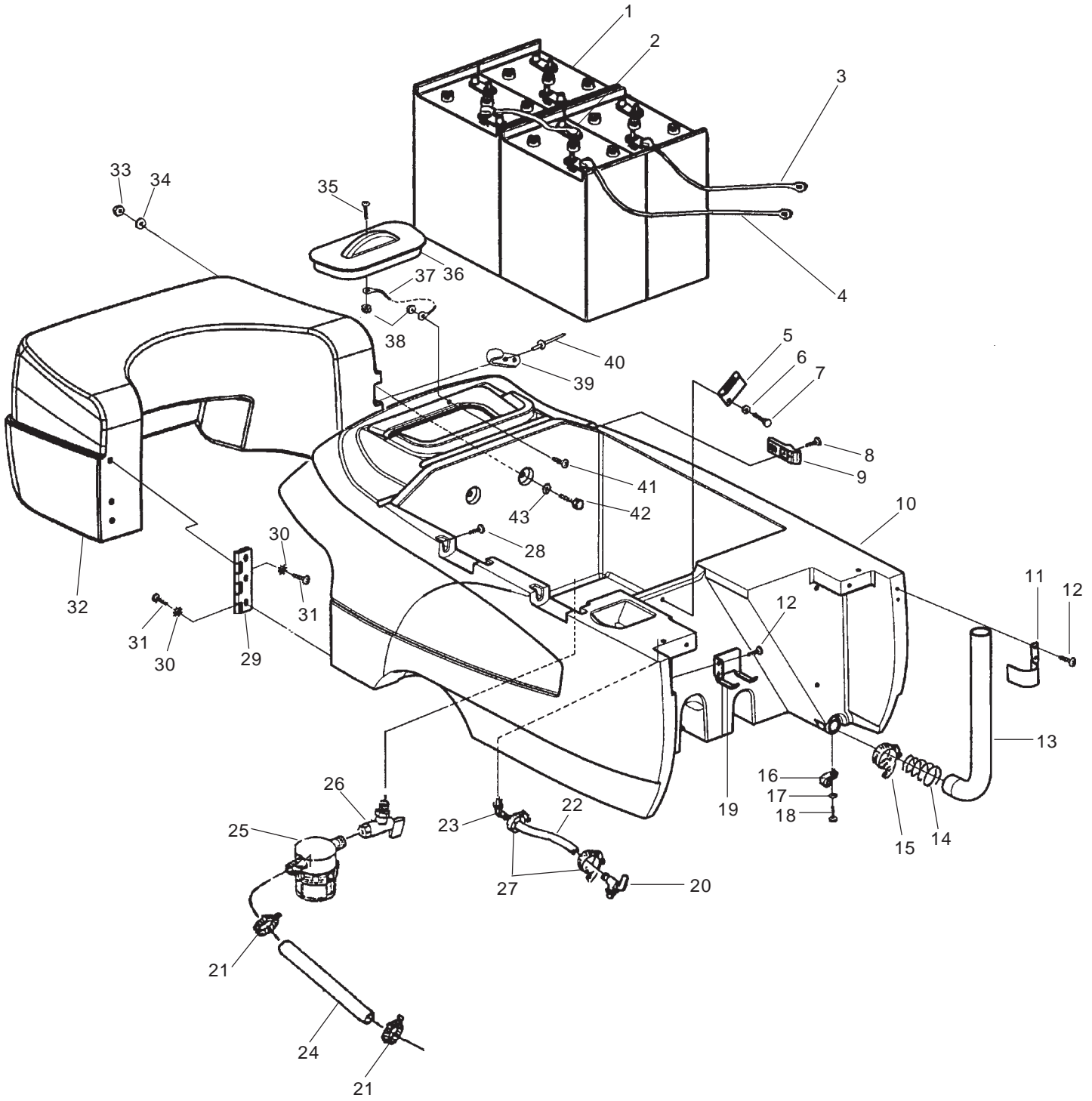
Section II

Parts and Service Manual

(71072A)

U.S. Patent No. 6,760,947; No. 6,105,192; No. 5,383,251; & Patents Pending

Clarke®
BOOST 32
Solution Tank Assembly Drawing 9/05

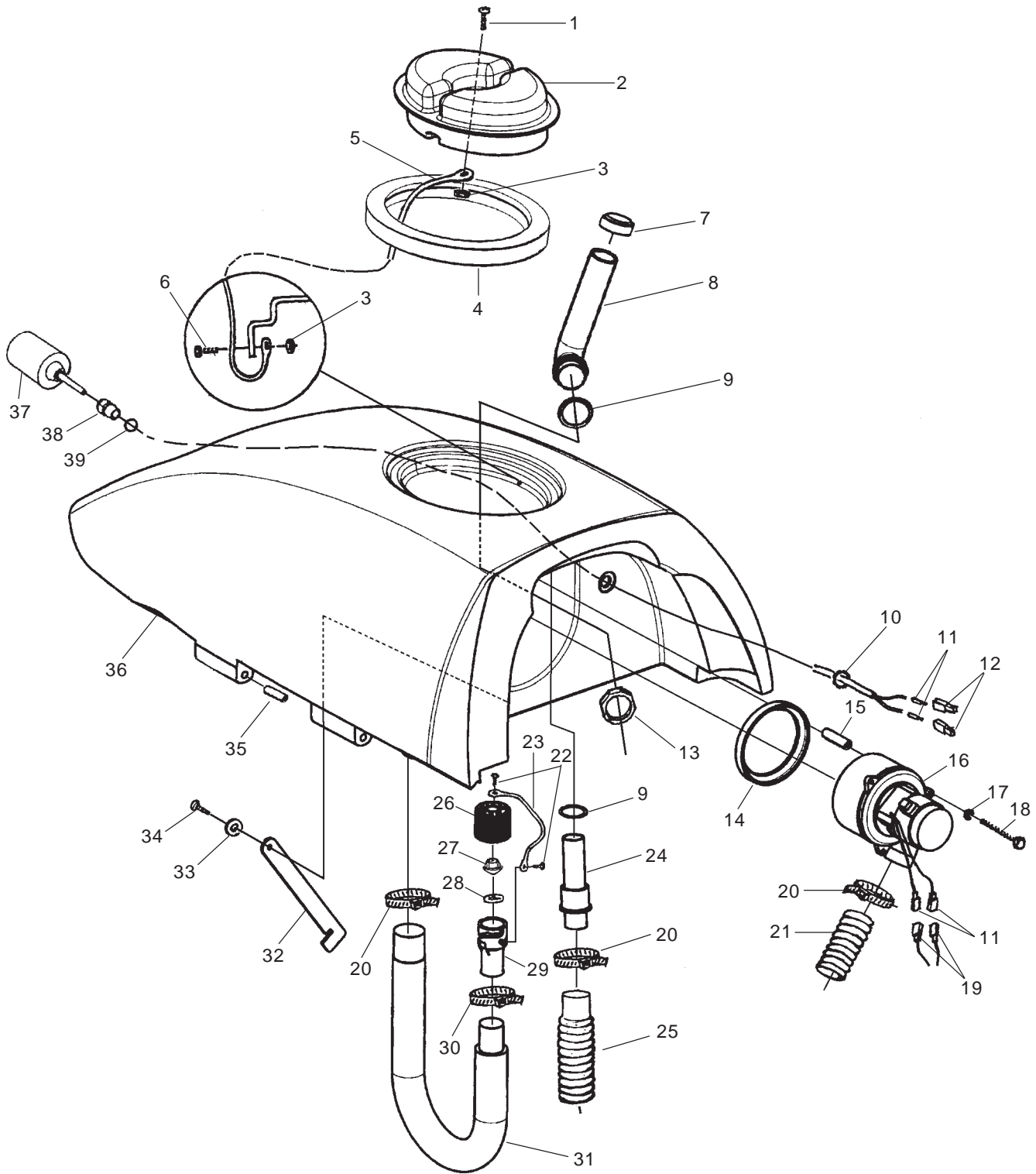


Clarke®
BOOST³²

Solution Tank Assembly Parts List 9/05

Ref #	Part No.	Description	Qty
1	881317	Battery - 250 AH - 6 Volt	4
	891384	Battery - 330 AH - 6 Volt	4
2	842406	Series Cable - 9"	5
3	40613A	Battery Cable, Black	1
4	40612A	Battery Cable, Red	1
5	61713A	Tank Support Bracket	1
6	170892	Washer, Lock 1/4	2
7	170915	Screw, 1/4-20 x 3/4 Hex	2
8	962027	Screw, 8-32 x 1/2 PN	2
9	50966A	Latch	1
10	30590A	Solution Tank	1
11	60480A	Hose Bracket	1
12	80108A	Screw, 10-24 x 1/2 PN	4
13	30598A	Drain Hose	1
14	51346A	Spring, Hose	1
15	872010	Hose Clamp	1
16	98465A	Clamp, Metal	1
17	980657	Washer, Lock 1/4	1
18	962139	Screw, 1/4-20 x 5/8 Hex	1
19	61590A	Hose Hanger Bracket	1
20	59614A	Battery Drain Valve	1
21	53571A	Hose Clamp	2
22	30453A	Hose	1
23	822802	Elbow	1
24	30446A	Hose	1
25	53562A	Filter Bowl Asm.	1
26	51204A	Valve, 3/8 NPT Shut Off	1
27	50248A	Clamp, Hose	2
28	80289A	Screw, 10 x 1/2 Tapping PN	2
29	53568A	Hinge	1
30	980614	Washer, 1/4 External	6
31	85395A	Screw, 1/4-20 x 1/2 PN	6
32	30595A	Front Cover	1
33	81105A	Nut, 3/8-16 ESNA	2
34	930645	Washer, 3/8 Flat	2
35	962798	Screw, 10-24 x 1/2 PN	1
36	30498A	Solution Lid	1
37	38020A	Strap	1
38	920296	Nut, 10-24 ESNA	2
39	50966A	Keeper, Latch	1
40	930090	Rivet, 5/32 x 9.16	2
41	962666	Screw, 10-24 x 3/4 PN	1
42	962522	Screw, 3/8-16 x 2 Hex	2
43	87054A	Washer, 3/8 Fender	2

Clarke®
BOOST³²
Recovery Tank Assembly Drawing 9/05

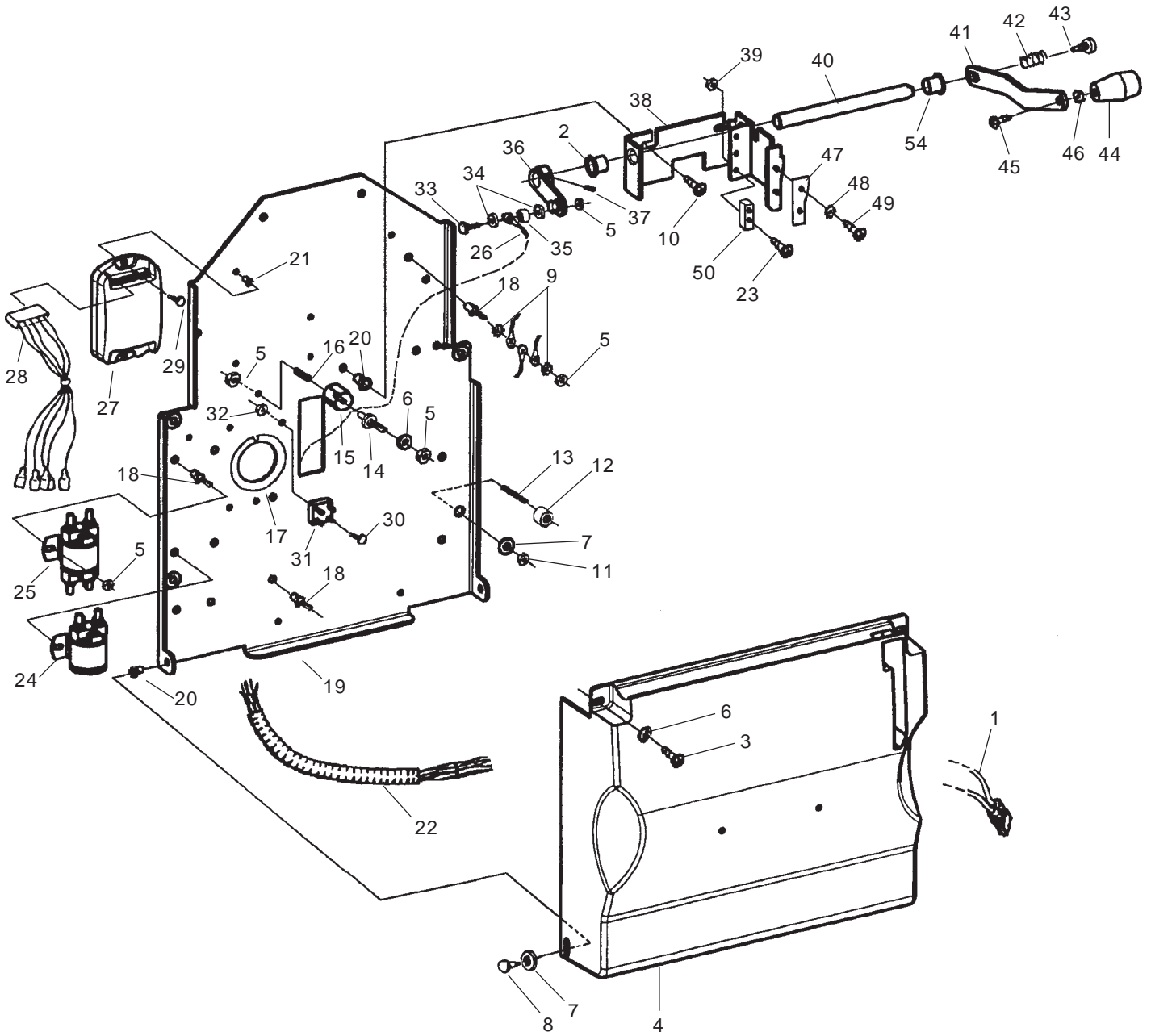


Recovery Tank Assembly Parts List 9/05

Ref #	Part No.	Description	Qty
1	962798	Screw, 10-24 x 1/2 PN	1
2	30057A	Recovery Lid	1
3	920296	Nut, 10-24 ESNA	2
4	30065A	Gasket, Lid	1
5	38020A	Strap	1
6	962666	Screw, 10-24 x 3/4 PN	1
7	58069A	Vac Filter	1
8	39338A	Stand Tube	1
9	837304	O-Ring	2
10	82100A	Locknut	1
11	41809A	Contact	4
12	43402A	Housing, Blue	2
13	920797	Nut	1
14	643418	Gasket, Vac	1
15	58533A	Vac Motor Spacer	3
16	51049A	Vac Motor (order 2 each #11 and #19)	1
17	87026A	Washer, 1/4 Flat	3
18	85728A	Screw, 1/4-20 x 4 Hex	3
19	43401A	Housing, Black	2
20	872010	Clamp	3
21	674110	Vac Exhaust Hose	1
22	962957	Screw, 10-16 x 1/2 PN	2
23	52206A	Chain	1
24	30620A	Squeegee Adapter	1
25	35192A	Squeegee Hose	1
26	30227A	Drain Housing	1
27	30226A	Drain Plug	1
28	52560A	O-Ring	1
29	30225A	Drain Body	1
30	832002	Drain Valve Clamp	1
31	35165A	Recovery Drain Hose	1
32	61591A	Recovery Tank Support	1
33	87622A	Washer, Nylon	1
34	80043A	Shoulder Screw	1
35	30068A	Hinge Pin (included with item #36)	2
36	30591A	Recovery Tank	1
37	40002A	Float Switch (includes items. #38 & 2 ea. #11 & #12)	1
38	56459A	Strain Relief (included in item #37)	1
39	87612A	Seal	1

Clarke®
BOOST³²

Electrical Panel Assembly Drawing 9/05
(on machines that use a remote charger)



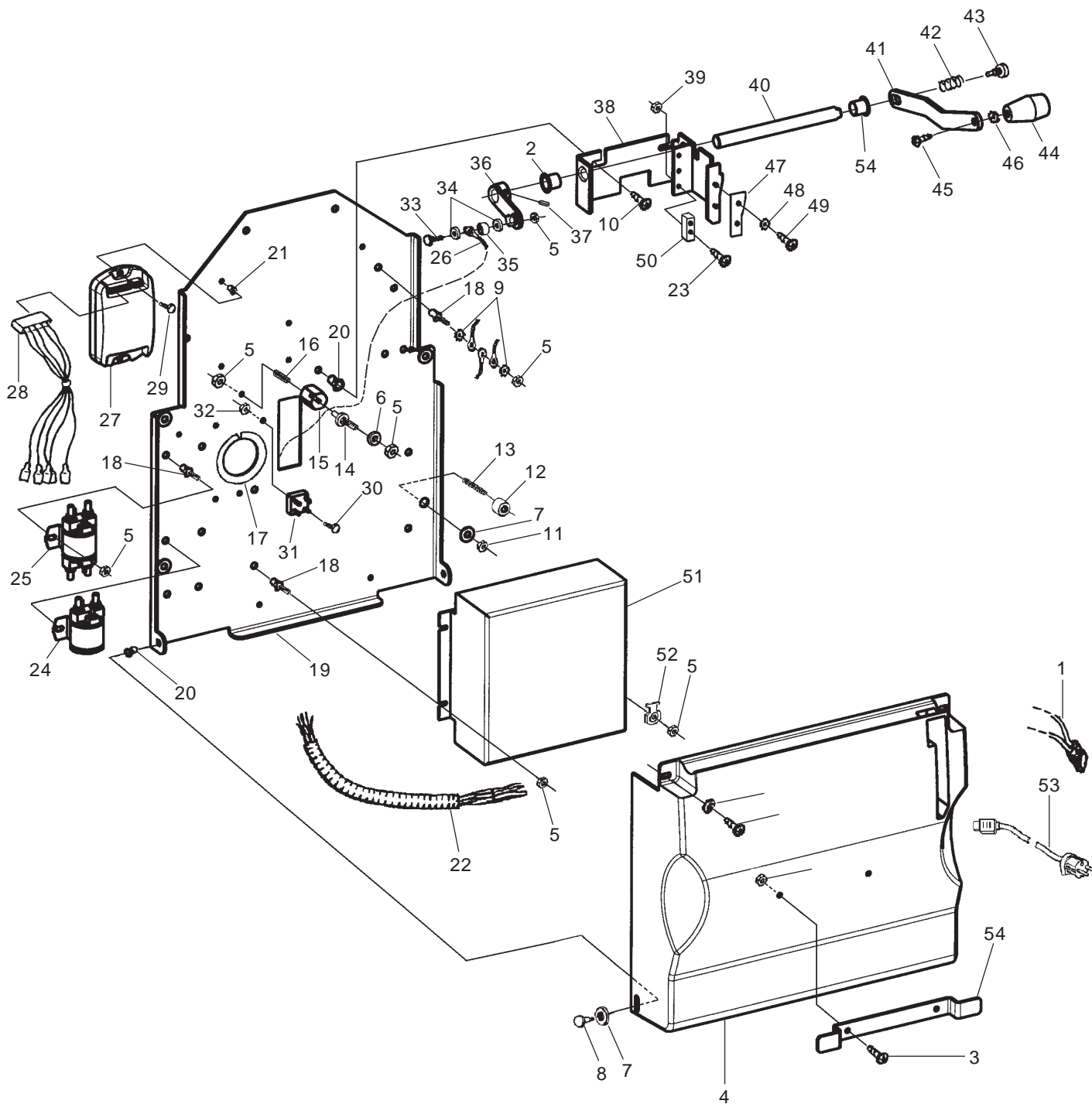
Clarke®
BOOST³²

Electrical Panel Assembly Parts List 9/05
(on machines that use a remote charger)

Ref #	Part No.	Description	Qty
1	40779A	Cable, Machine	1
2	902731	Nylon Bearing	2
3	85391A	Screw, 1/4-20 x 5/8 PN	2
4	30594A	Rear Cover	1
5	81104A	Nut, ESNA 1/4-20	8
6	87007A	Washer, 1/4 Flat	3
7	980651	Washer, 5/16 Flat	6
8	80030A	Shoulder Bolt	2
9	980614	Washer, 1/4 External	2
10	962139	Screw, 1/4-20 x 5/8	2
11	920110	Nut, ESNA 5/16-18	4
12	53569A	Spacer	4
13	80285A	Screw, Set 5/16-18 x 1 3/4	4
14	83302A	Stud, 1/4-20	1
15	854849	Insulator	1
16	170781	Screw, Set 1/4-20 x 3/4	1
17	193951	Trim, 8"	1
18	83307A	Stud, 1/4-20	11
19	61589A	Electrical Panel	1
20	54764A	Insert, 1/4-20	4
21	54763A	Insert, 8-32	2
22	40780B	Main Wiring Harness, Std.	1
23	962980	Screw, 6-32 x 1	2
24	41810A	Contactor, Brush	1
25	41811A	Contactor, Main	1
26	61682A	Cable, Upper	1
27	40782A	Controller, Solo	1
28	40759A	Traverse Harness	1
29	80254A	Screw, 8-32 x 1	2
30	962666	Screw, 10-24 x 3/4	1
31	912287	Rectifier	1
32	920296	Nut, ESNA 10-24	1
33	85700A	Screw, 1/4-20 x 1	1
34	87026A	Washer, 1/4 Flat	2
35	608210	Spacer	1
36	65628A	Lever, Cable	1
37	962304	Screw, Set 5/16-18 x 1/2 (must use red Loctite)	2
38	61584A	Squeegee Lift Bracket	1
39	920056	Nut, ESNA #6-32	2
40	61586A	Shaft	1
41	61585A	Squeegee Lift Lever	1
42	438360	Spring	1
43	960510	Shoulder Screw	1
44	52557A	Squeegee Knob	1
45	980666	Washer, 3/8 External	1
46	85389A	Screw, 3/8-16 x 5/8	1
47	68643A	Wear Plate	1
48	980675	Washer	2
49	962546	Screw, 10-24 x 1/2	2
50	47388A	Switch	1

Clarke®
BOOST 32

Electrical Panel Assembly Drawing 9/05
(on machines with on-board charger option)

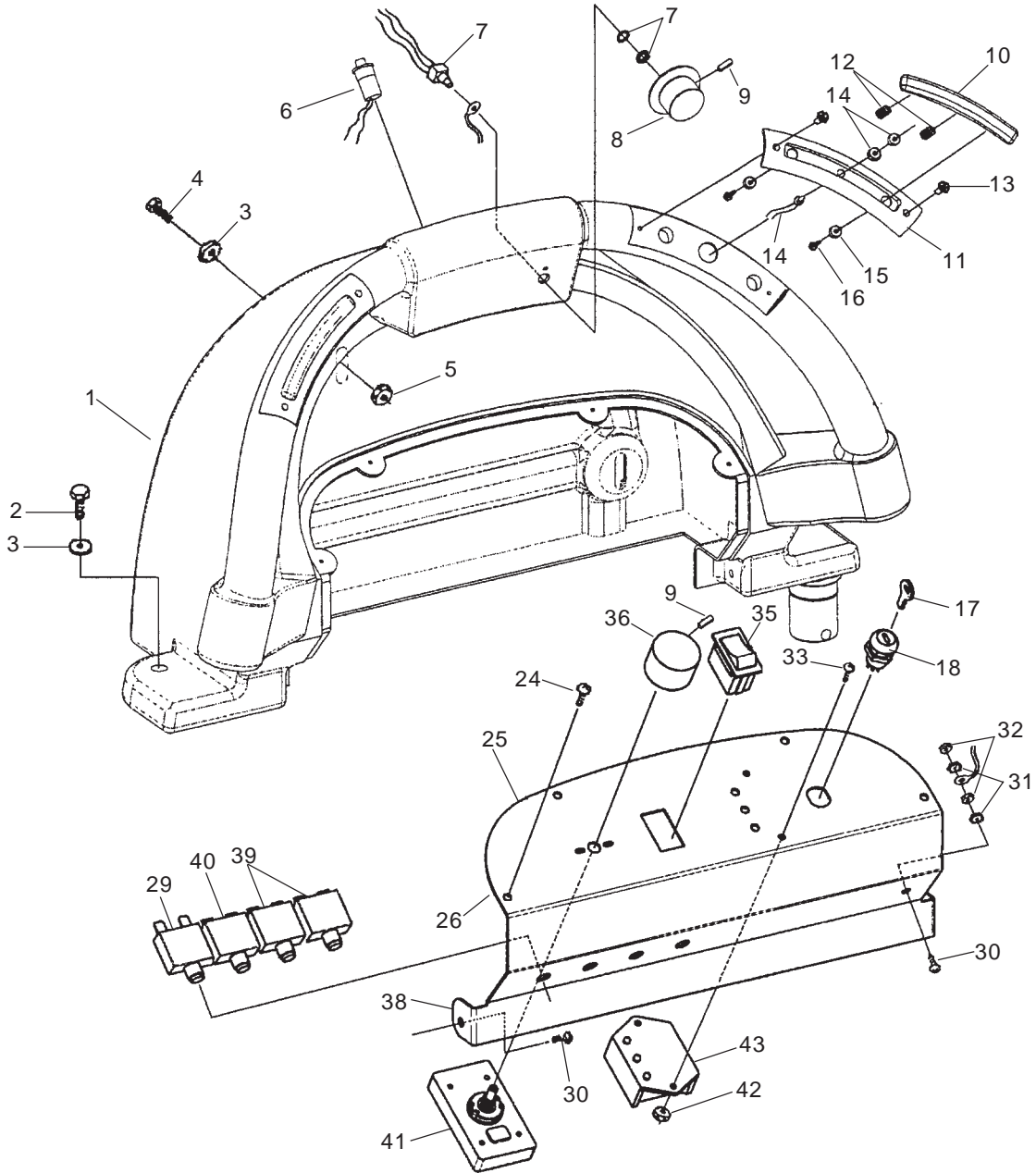


Clarke®
BOOST³²

Electrical Panel Assembly Parts List 9/05
(on machines with on-board charger option)

Ref #	Part No.	Description	Qty
1	40779A	Cable, Machine	1
2	902731	Nylon Bearing	2
3	85391A	Screw, 1/4-20 x 5/8 PN	4
4	30594A	Rear Cover	1
5	81104A	Nut, ESNA 1/4-20	14
6	87007A	Washer, 1/4 Flat	3
7	980651	Washer, 5/16 Flat	6
8	80030A	Shoulder Bolt	2
9	980614	Washer, 1/4 External	2
10	962139	Screw, 1/4-20 x 5/8	2
11	920110	Nut, ESNA 5/16-18	4
12	53569A	Spacer	4
13	80285A	Screw, Set 5/16-18 x 1 3/4	4
14	83302A	Stud, 1/4-20	1
15	854849	Insulator	1
16	170781	Screw, Set 1/4-20 x 3/4	1
17	193951	Trim, 8"	1
18	83307A	Stud, 1/4-20	11
19	61589A	Electrical Panel	1
20	54764A	Insert, 1/4-20	4
21	54763A	Insert, 8-32	2
22	40780B	Main Wiring Harness, Std.	1
23	962980	Screw, 6-32 x 1	2
24	41810A	Contactor, Brush	1
25	41811A	Contactor, Main	1
26	61682A	Cable, Upper	1
27	40782A	Controller, Solo	1
28	40759A	Traverse Harness	1
29	80254A	Screw, 8-32 x 1	2
30	962666	Screw, 10-24 x 3/4	1
31	912287	Rectifier	1
32	920296	Nut, ESNA 10-24	1
33	85700A	Screw, 1/4-20 x 1	1
34	87026A	Washer, 1/4 Flat	2
35	608210	Spacer	1
36	65628A	Lever, Cable	1
37	962304	Screw, Set 5/16-18 x 1/2 (must use red Loctite)	2
38	61584A	Squeegee Lift Bracket	1
39	920056	Nut, ESNA #6-32	2
40	61586A	Shaft	1
41	61585A	Squeegee Lift Lever	1
42	438360	Spring	1
43	960510	Shoulder Screw	1
44	52557A	Squeegee Knob	1
45	980666	Washer, 3/8 External	1
46	85389A	Screw, 3/8-16 x 5/8	1
47	68643A	Wear Plate	1
48	980675	Washer	2
49	962546	Screw, 10-24 x 1/2	2
50	47388A	Switch	1
51	40844A	Charger, Battery On-Board	1
52	52548A	Screw Tab	1
53	40740A	Cord, On-board Charger	1
54	61598A	Bracket, Cord Wrap	1

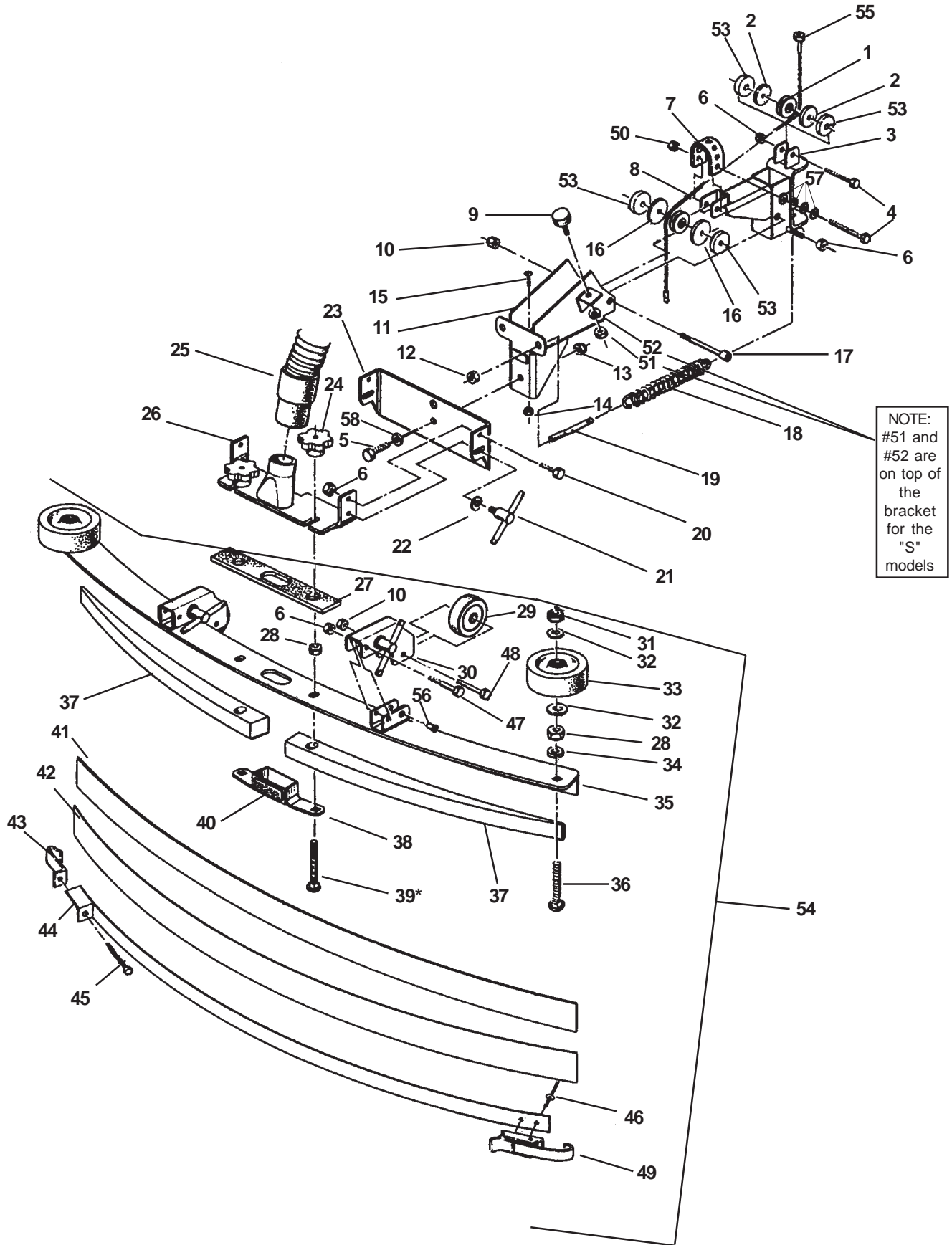
Clarke®
BOOST³²
Control Panel Assembly Drawing 9/05



Control Panel Assembly Parts List 9/05

Ref. #	Part No.	Description	Qty
1	30592A	Control Handle	1
2	85815A	Screw, 5/16-18 x 1 1/2	2
3	980205	Washer, 5/16 Flat	6
4	85813A	Screw, 5/16-18 X 1	4
5	920110	Nut, LK 5/16-18	4
6	52556A	Reverse Switch	1
7	40738A	Traverse Potentiometer	1
8	50962A	Knob, Traverse	1
9	962262	Screw, Set 8-32 x 1/2 (included w/# 8 & 36)	2
10	30055A	Lever, Switch	2
11	30056A	Housing, Switch	2
12	50961A	Spring, Switch	4
13	80104A	Screw, 10-32 x 1/2 Oval	4
14	40126A	Switch, Forward/Reverse	2
15	980608	Washer, #6 Flat	4
16	962330	Screw, 6-32 x 3/8 Pan	4
17	50851A	Key (included w/ # 18)	1
18	40883A	Switch, Key	1
24	962957	Screw, 10-16 x 1/2	4
25	71077A	Label, Control 24V	1
26	34264A	Gasket	1
29	41423B	Circuit Breaker, 5A	1
30	85391A	Screw, 1/4-20 x 5/8	3
31	980614	Washer, 1/4 External	2
32	920208	Nut, 1/4-20	2
33	962968	Screw, 10-24 x 1/2	2
35	47381B	Switch, Mantain Rocker	1
36	55502A	Knob, Control	1
38	61811A	Panel, Control	1
39	41448B	Circuit, Breaker, 30A	2
40	41422B	Circuit, Breaker, 25A	1
41	40858A	Solution Modulator	1
42	920296	Nut, Lk 10-24	2
43	40898A	Meter, Battery/Charger	1

Squeegee Swing Arm Assembly Drawing 9/05



Squeegee Swing Arm Assembly Parts List 9/05

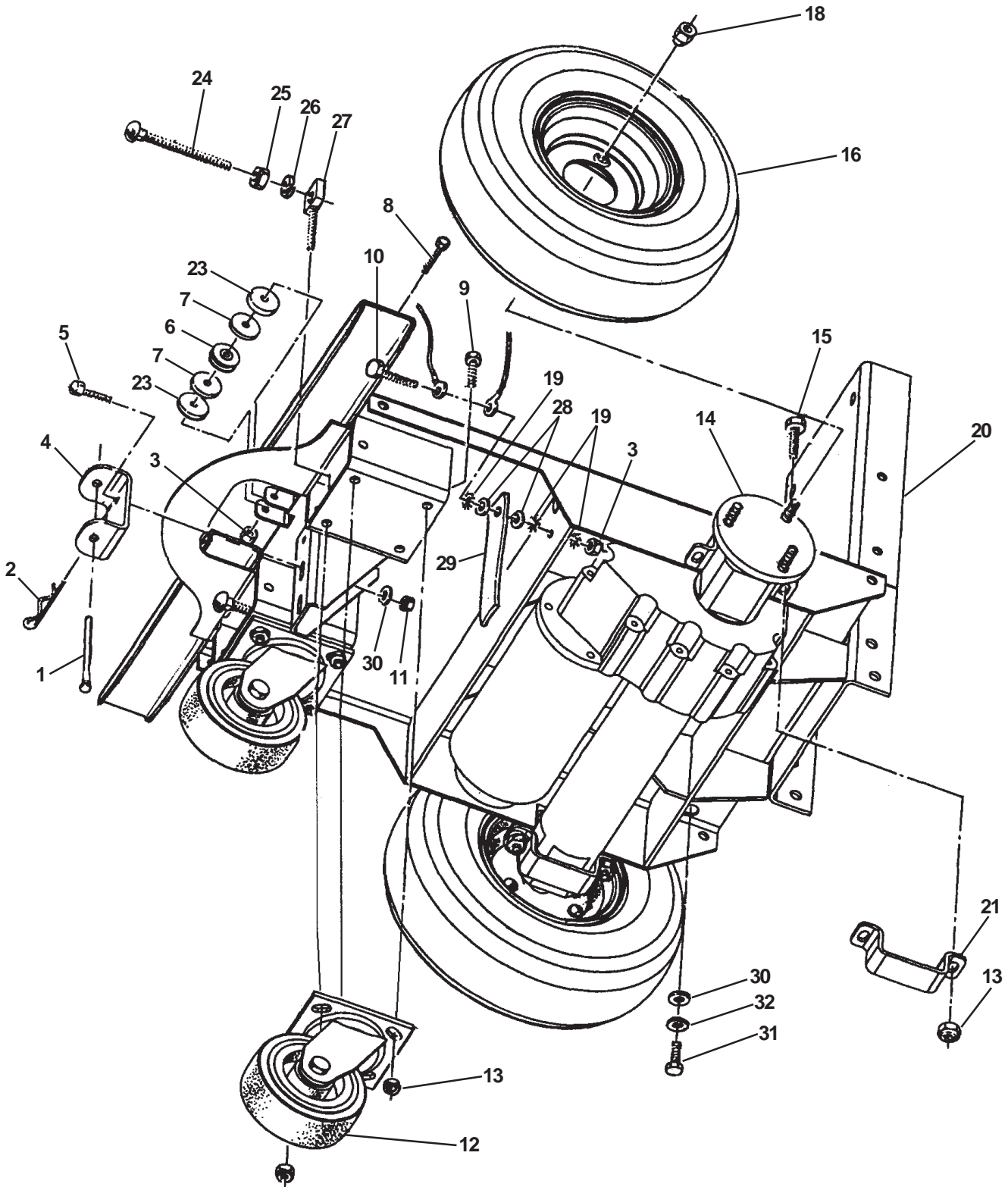
Ref #	Part No.	Description	Qty
1	57275A	Pulley	2
2	87623A	Washer, Nylon 1¼x¼x1/8	2
3	60452A	Swing Arm, Front	1
4	86004A	Screw, .25-20 x 1½	2
5	85730A	Screw, .375-16 x 1¼	1
6	81104A	Nut, Hex ESNA SS	6
7	38021A	Strap	1
8	61679A	Cable, Lower	1
9	51613A	Bumper	1
10	920110	Nut, ESNA	3
11	60332A	Swing Arm, Rear	1
12	920256	Nut, Hex	2
13	81105A	Nut, ESNA SS	1
14	920296	Nut, 10-24 ESNA SS	1
15	962798	Screw, 10-24 x .50	1
16	87624A	Washer, Nylon 1½x¼x1/8	2
17	80015A	Screw, Shoulder	1
18	53423A	Spring, Squ. Pressure	2
19	68016A	Stud	2
20	170915	Screw, SS Hex	2
21	64905A	THandle	3
22	980651	Washer, Flat .312	1
23	60678C	Pivot Bracket	1
24	25201A	Knob	2
25	35192A	Hose, Squeegee Rec.	1
26	61267A	Tube Bracket	1
27	34260B	Squeegee Gasket	1
28	81301A	Nut, Jam SS	4
29	59971A	Wheel	2
30	65975A	Wheel Mount Bracket	2
31	920248	Nut, Jam	2
32	980645	Washer, Flat	4
33	59950A	Guide Wheel	2
34	980638	Washer, Lock	2

Ref #	Part No.	Description	Qty
35	69674A	Squeegee Base	1
36	85610A	Screw, PN Phillips	2
37	38710A	Spacer	2
	38711A	Spacer	2
	38715A	Spacer	2
	38713A	Spacer, 29" accessory	2
38	62712A	Air Duct	1
39	80011A	Screw, .375-16 x 3.00	2
40	37016A	Grip Pad	1
41*	30717A	Blade, Inner	1
42*	30913A	Blade, Outer	1
43	62421A	End Clamp	1
44	62443A	Clamp, Weld	1
45	86004A	Screw, .25-20 x 1.50 Hex	1
46	170932	Rivet	2
47	85702A	Screw, .25-20 x 1.75	2
48	85816A	Screw, .312-18 x 1.75	2
49	55722A	Squeegee Strap Latch	1
50	81217A	Nut, ½-20	1
51	920208	Nut, Hex ¼-20	1
52	980657	Washer, ¼ Lock	1
53	87625A	Washer, Nylon 1¼x¼x1/32	4
54	18816R	Asm., Squeegee	1
55	81303A	Nut, ¼-28	1
56	54766A	Insert, Threaded 5/16-24	2
57	87026A	Washer	4
58	87031A	Washer, 3/8 Flat	1

* See accessory page

NOTE: When changing squeegee blades, it might be necessary to loosen screw #39; install and secure blades with clamp #44; then retighten screw #39. This will allow for different thickness.

Clarke®
BOOST 32
Traverse System Assembly Drawing 9/05

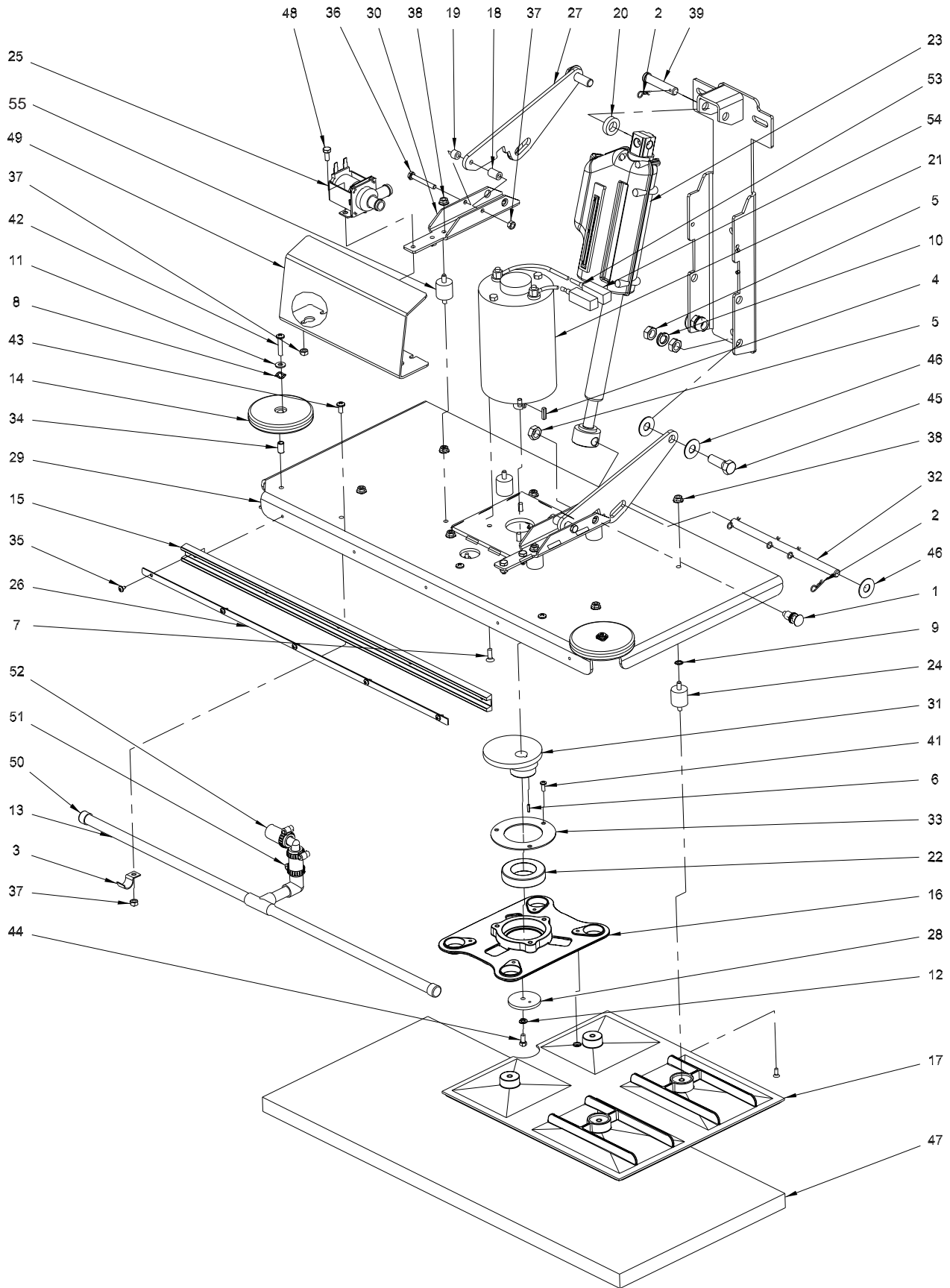


Clarke®
BOOST³²
Traverse System Assembly Parts List 9/05

Ref #	Part No.	Description	Qty
1	66531A	Swing Arm Pin	1
2	836711	Hair Pin	1
3	81104A	Nut, .25-20 ESNA	2
4	69877A	Swing Bracket	1
5	85811A	Screw, .312-18 x .75	2
6	57275A	Cable Pulley	1
7	87623A	Washer, Nylon 1¼x¼IDx.120	2
8	86004A	Screw, .25-20 x 1.50	1
9	962288	Screw, .375-16 x 1	6
10	85700A	Screw, .25-20 x 1	1
11	920110	Nut, .312-16 ESNA	2
12	899769	Caster Assembly	2
13	81105A	Nut, .375-16 ESNA	12
14	53658A	Transaxle (see page 92 for parts)	1
15	85730A	Screw, Hex	4
16	59969A	Wheel Assembly*	2
	59955A	Wheel, Foam Filled (opt.)	2
18	81221A	Lug Nut, 50-20 UNF	6
19	980614	Washer, Star Lock .25	3
20	61594A	Main Frame	1
21	65963A	Transaxle Mount	2
23	87625A	Washer, Nylon 1¼x¼IDx3/32	2
24	80011A	Screw, ¾-16 x 3	2
25	81207A	Nut, ¾-16	2
26	170883	Washer, Lock ¾	2
27	58419A	Stud, ¾M x ¾F	2
28	980205	Washer, .25 Fender	2
29	69639A	Strap, Static	1
30	980645	Washer, Flat ¾	6
31	962244	Screw, ¾-16 x ¾	4
32	980638	Lockwasher ¾	4

*30039A tube, inner (included in item #16) 1 Ref.

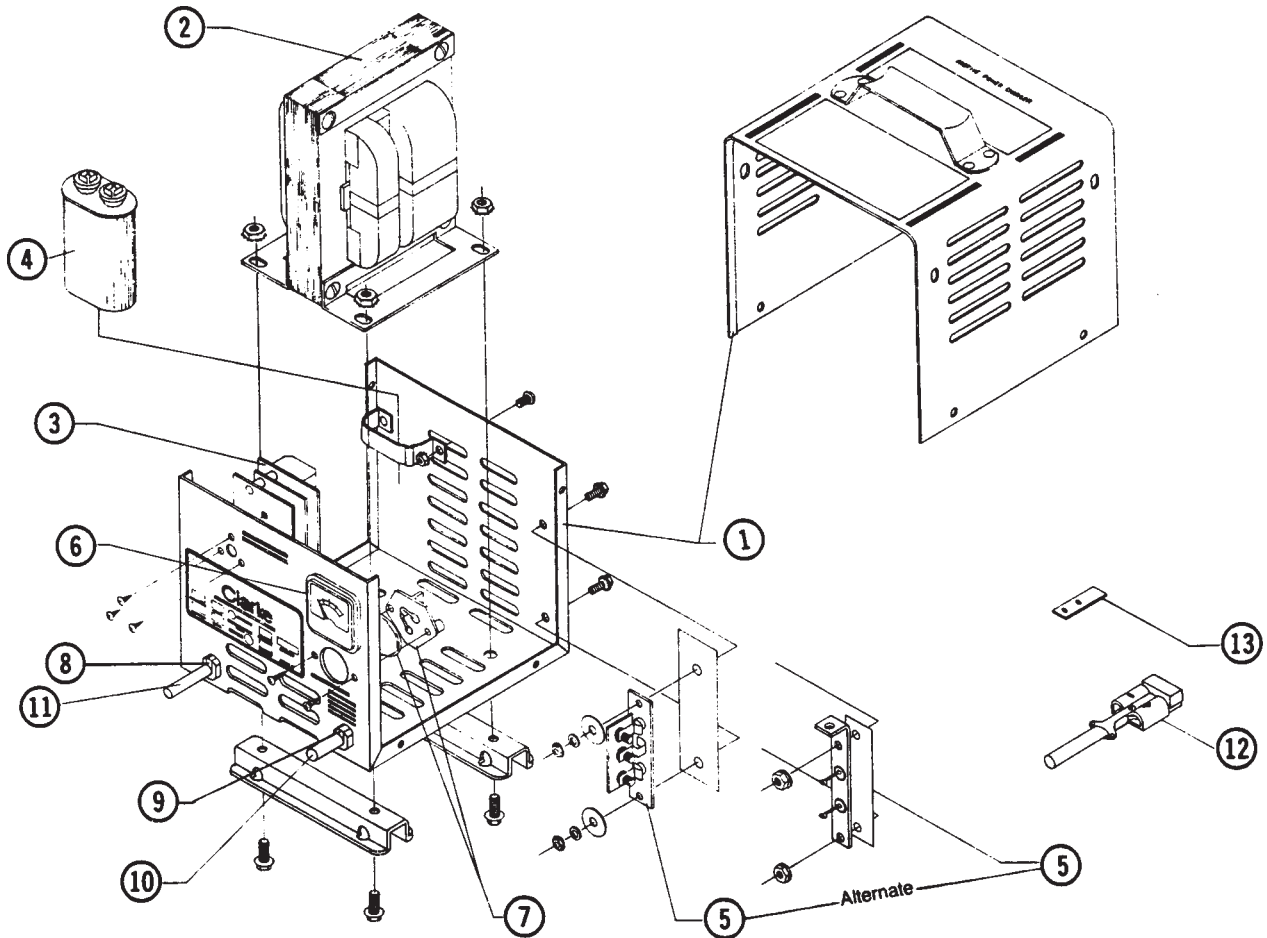
Clarke®
BOOST³²
Brush Head Assembly Drawing 9/05



Brush Head Assembly Parts List 9/05

Ref. #	Part No.	Description	Qty
1	636706	Pin, Asm. Disconnect	1
2	766780	Pin, Hair	5
3	782002	Clamp, Manifold	3
4	915082	Key, 3/16 SQ. x 3/4"	1
5	920278	Nut, Jam ½-20	5
6	925589	Pin, Roll	1
7	962098	Screw, ¼-20 x 3/4"	1
8	980022	Washer, Wave	2
9	980614	Washer, ¼" Starlock, External	8
10	980626	Washer, ½ Lock	2
11	980646	Washer, ¼" flat	2
12	980657	Washer, Lock ¼	1
13	11002A	Tube Assembly, Drip 32"	1
14	30048A	Wheel, Guide	2
15	30306A	Bumper	1
16	30663A	Plate, Driver	1
17	30664A	Plate, Flex, Asm. 28"	2
18	30670A	Spacer, Nylon	2
19	30671A	Spacer, Nylon	2
20	38708A	Spacer	1
21	40790A	Motor, 24V	1
NI	11055A	Kit, Motor Brush Replacement	1
22	50736A	Bearing	1
23	53847A	Actuator	1
24	11063A	Rubber Isolator Kit	1
25	59789A	Valve, Solution	1
26	61327A	Retainer, Bumper	1
27	61582A	Arm, Lift, Large	2
28	61724A	Retainer, Eccentric	1
29	61730A	Plate, Upper 32	1
30	61733A	Bracker, Lift	2
31	61753A	Eccentric	1
32	61773A	Rod, Lift, Deck	1
33	61775A	Retainer, Bearing	1
34	61782A	Sleeve, Guide Wheel	2
35	80296A	Screw #10-24 x 7/16 Type 23	5
36	80298A	Screw, ¼-20 x 2.00 Hex Cap	2
37	81217A	Nut, ¼" x .218 ESNA	9
38	81220A	Nut, Serrated Flange	12
39	82501A	Pin, Clevis	1
40	84236A	Screw, 10-32 x .50 FH	4
41	84237A	Screw, 10-32 x .50 P.H.	3
42	85301A	Screw, ¼-20 x 1-¼ C.R.P.H.	2
43	85395A	Screw, ¼-20 x ½" P.H.	5
44	85737A	Screw, ¼-20 x ½ H.H.C.S.	1
45	85838A	Screw, ½-20 Hex	2
46	87607A	Washer, Flat	6
47	997004	Pad, Red, 32"	1
48	962139	Screw, ¼-20 x .625 Hex Cap	4
49	61813A	Guard, Front	1
50	30708A	Endcap	2
51	722030	Clamp, Hose	4
52	30707A	Hose	1
53	41602A	Connector	2
54	40645A	Housing	2
55	11062A	Rubber Mounting Kit	1

Remote Battery Charger Drawing and Parts List 9/05



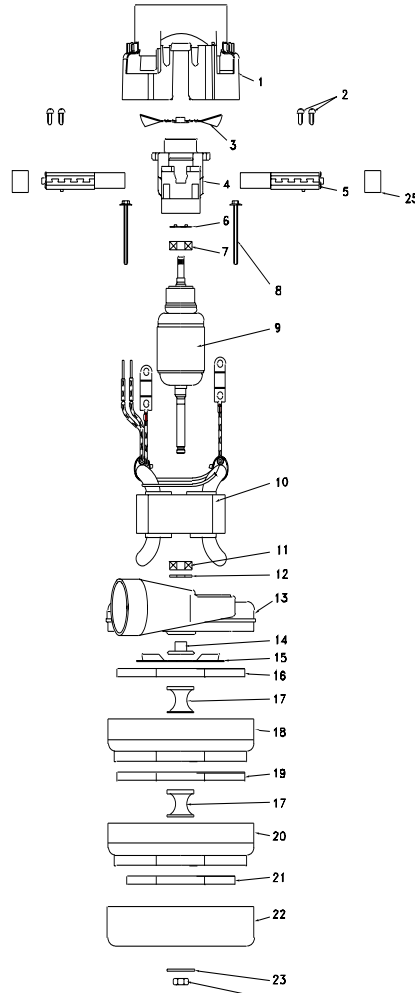
WARNING: All electrical repairs must be performed by qualified personnel only.

Charger #40512A: 24 volt, 25 amp D.C., 115 volt, A.C., 60 Hz.

Charger #40513A: 24 volt, 25 amp D.C., 230 volt, A.C., 50 Hz

Ref. No.	Description	Charger 40512A	Charger 40513A
1	Charger Case	41129A	41128A
2	Transformer	48413A	48409A
3	Electronic Controller Kit	47500A	48200A
4	Capacitor, 660 V.A.C.	912132	912132
5	Heat Sink Assembly	912212	912212
6	Ammeter	40200A	40200A
7	Fuse Holder	912382	912382
8	Strain Relief, A.C. Cord	837525	837525
9	Strain Relief, D.C. Cord	747553	747553
10	D.C. Cord Assembly	51986A	51986A
11	A.C. Cord Assembly	51974A	908947
12	Housing, Red	911470	911470
13	D.C. Plug Lock Key	795020	795020

Clarke®
BOOST³²
Vac Motor Assembly 9/05



PARTS LIST

DESCRIPTION	REQUIRED	CLARKE 51049A	CLARKE 51050A
1. HOUSING	1	50994A	50994A
2. SCREW	4	*	*
3. FAN	1	50995A	50995A
4. COMM. END BRACKET	1	*	*
5. BRUSH MECHANISM	2	50996A	50996A
6. LOAD SPRING	1	*	*
7. BALL BEARING	1	*	*
8. SCREW	2	*	*
9. ARMATURE	1	*	*
10. FIELD	1	*	*
11. BALL BEARING	1	*	*
12. NEOPRENE WASHER	1	59803A	59803A
13. FAN END BRACKET	1	*	*
14. SPACER	1	*	*
15. FAN	1	50997A	50997A
16. ROTATING FAN	1	53914A	
17. SPACER	2	50999A	
	1		50999A
18. STATIONARY FAN	1	51043A	51043A
19. ROTATING FAN	1	51044A	51044A
20. STATIONARY FAN	1	51045A	NA
21. ROTATING FAN	1	50998A	NA
22. FAN SHELL	1	51046A	51047A
23. WASHER	1	*	*
24. NUT	1	*	*
25. INSULATOR BRUSH CAP	2	51048A	51048A

1. THIS INFORMATION IS FOR PART IDENTITY ONLY, IT IS NOT TO BE USED AS DISASSEMBLY OR ASSEMBLY INSTRUCTIONS.
2. REPLACEMENT OF ARMATURE OR FIELD REQUIRES THE REPLACEMENT OF BRUSH MECHANISMS.

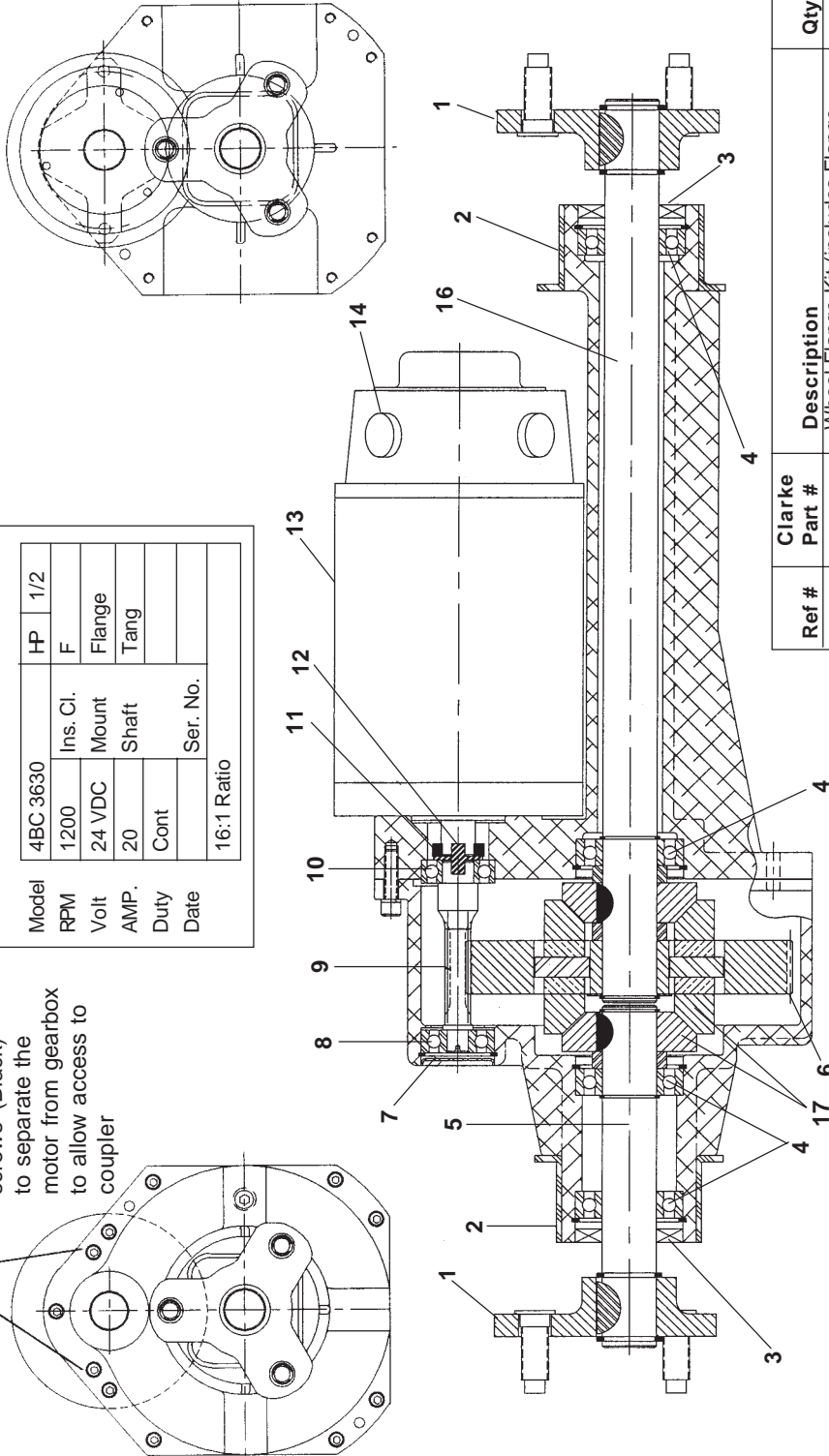
Clarke®
BOOST³²
 Transaxle Parts 9/05

PERMANENT MAGNET MOTOR
 MFG. IN USA

Model	4BC 3630	HP	1/2
RPM	1200	Ins. Cl.	F
Volt	24 VDC	Mount	Flange
AMP.	20	Shaft	Tang
Duty	Cont	Ser. No.	
Date			

16:1 Ratio

1 To replace coupler
 remove these two
 screws (Black)
 to separate the
 motor from gearbox
 to allow access to
 coupler



Ref #	Clarke Part #	Description	Qty
1	10357A	Wheel Flange Kit (includes Flange, Studs, Key, Snap Rings & Shim)	2
2	36508A	Rubber Mount	2
3	53374A	Axle Oil Seal	2
4	53375A	Axle Bearing	4
5	53376A	Short Axle	1
6	53377A	Output Gear	1
7	53378A	Input Plug	1
8	53379A	Outer Pinion Bearing	1
9	53380A	Pinion	1
10	53381A	Inner Pinion Bearing	1
11	52663A	Steel Ring, Coupler	1
12	69195A	Rubber Coupler	1
13	53656A	Motor	1
14	40781A	Brushes w/Springs (Set of 4)	1
16	53383A	Long Axle	1
	54282A	Gearbox Asm w/o motor	1
17	53435A	Miter Gear	4

Part No.	Description	Qty
53844A	Brake	1
53660A	Motor	1

53657A Brake Kit

Part No.	Description	Qty
TBD	Pad, Friction	1
TBD	Hub, Shaft	1
TBD	Key, 4 MM - Hub	1
TBD	Set Screw, M3 - Hub	1

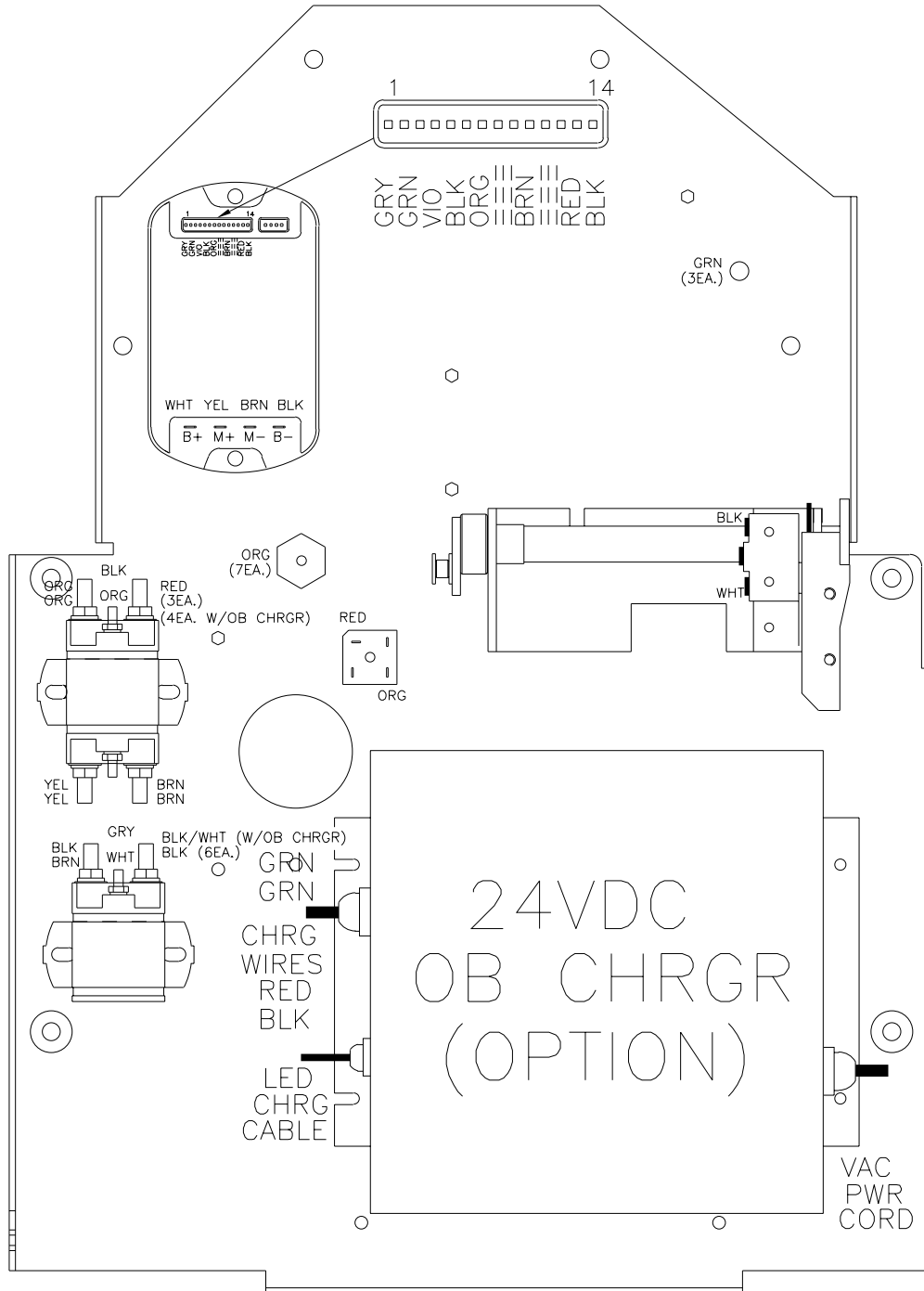
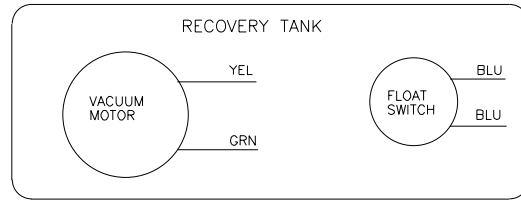
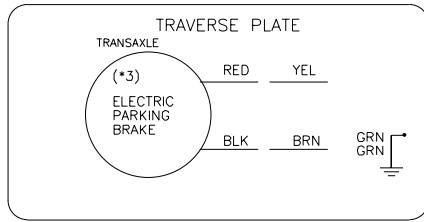
Brake Spare Parts

Part No.	Description	Qty
40784A	Brush, Carbon Set of 4	1

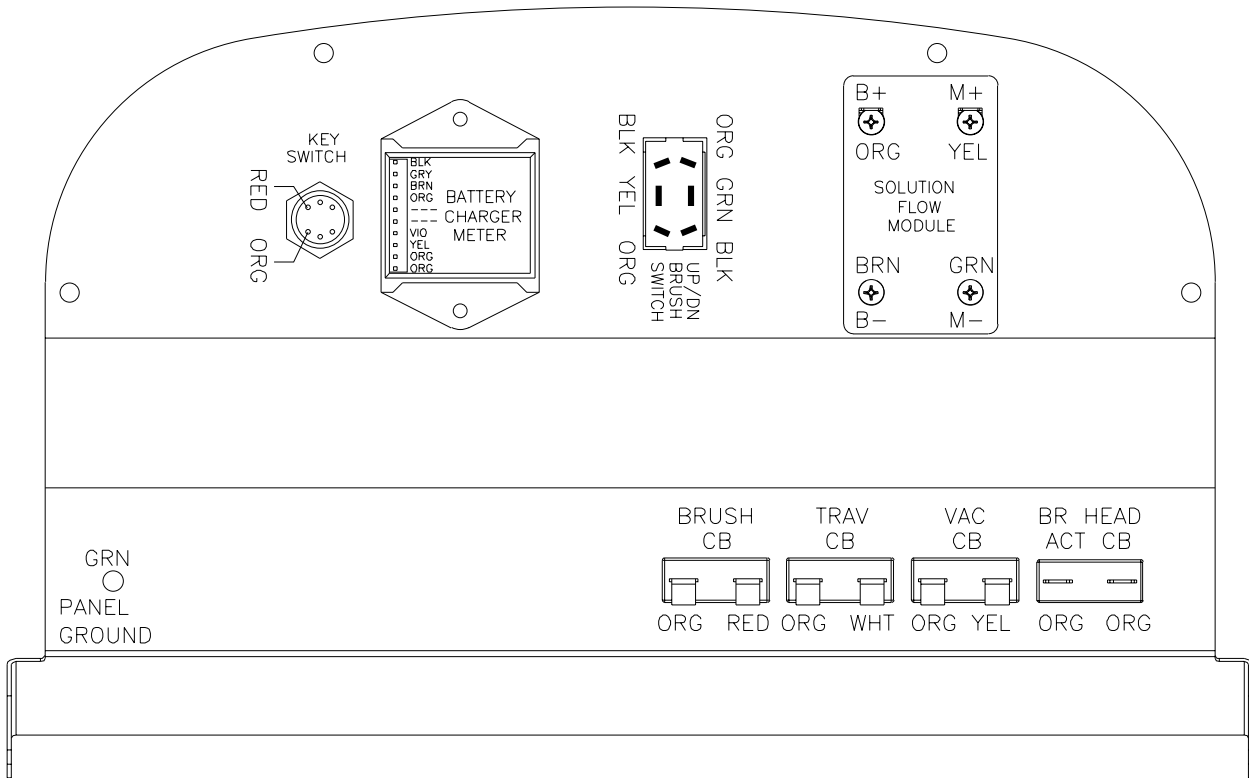
Brake Motor Spare Parts

Part No.	Description	Qty
40784A	Brush, Carbon Set of 4	1

Clarke®
BOOST³²
Electrical Plate Connection 9/05

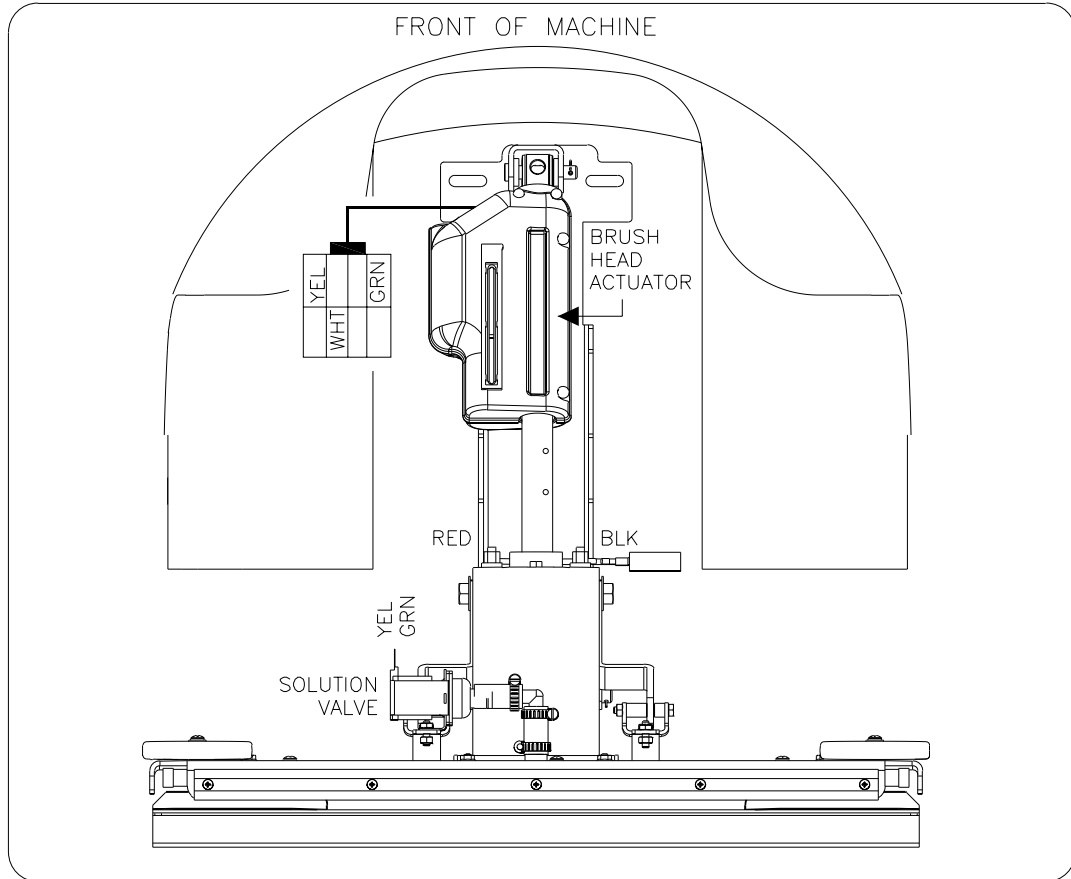


Clarke®
BOOST³²
Control Panel Connection Diagram 9/05

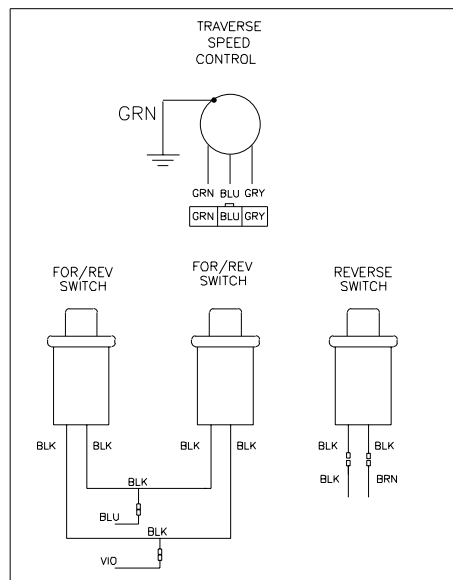
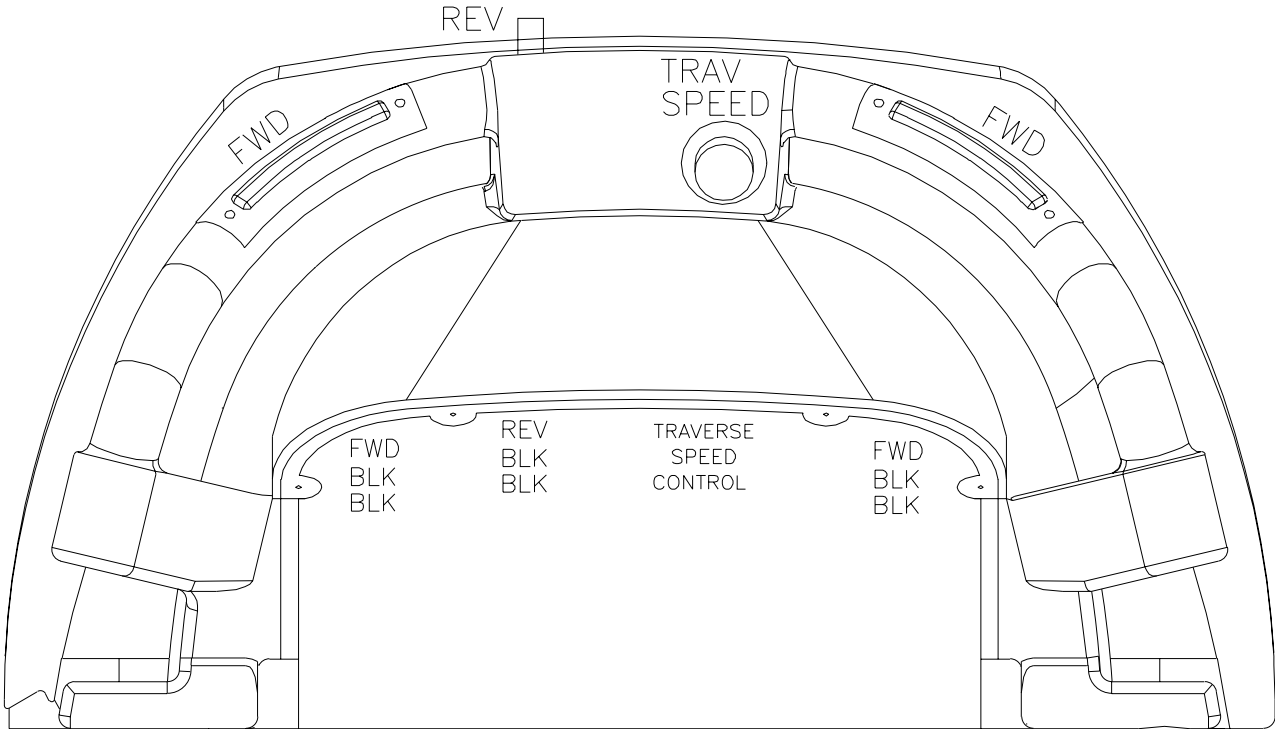


Clarke®
BOOST 32

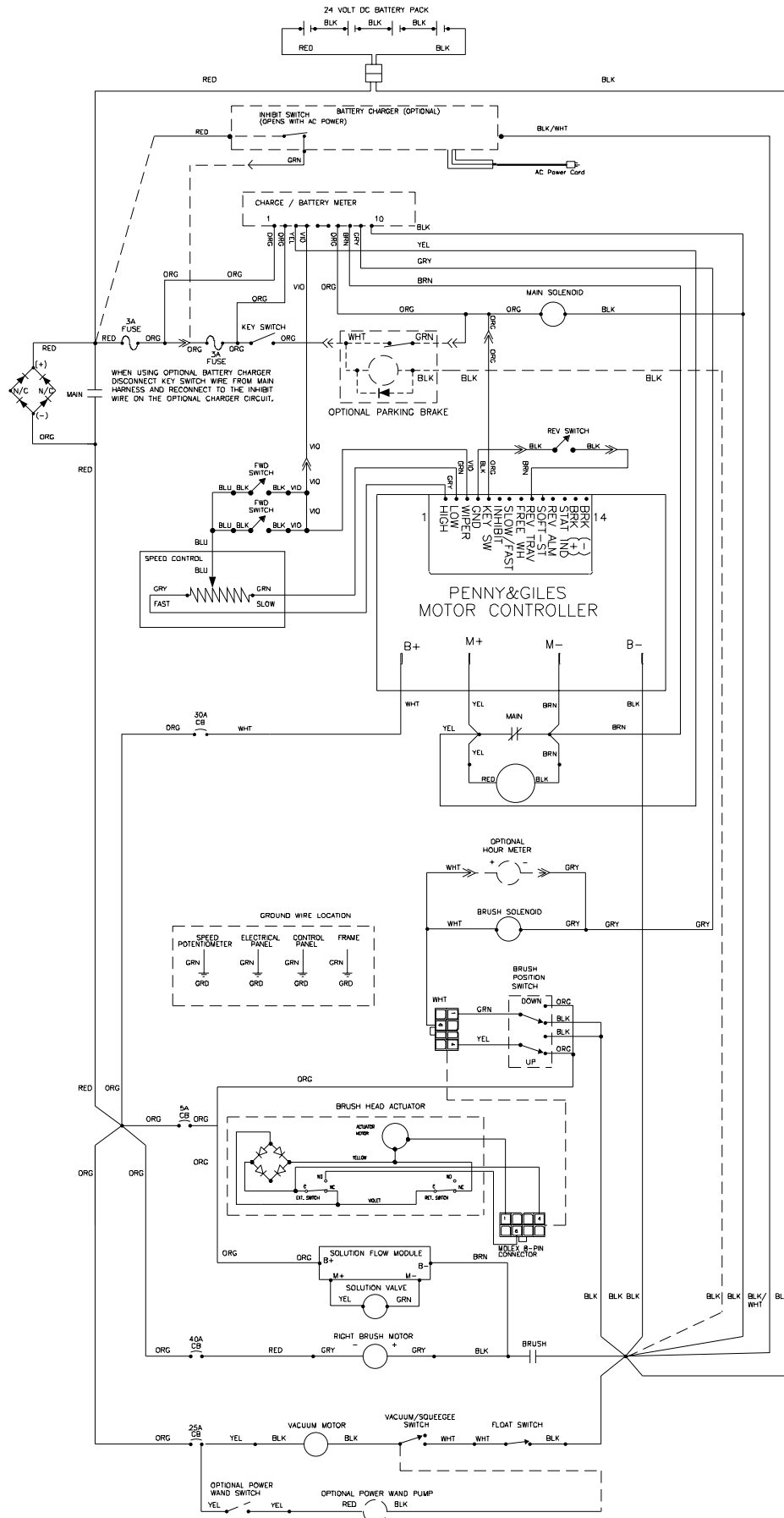
Front of machine Connection Diagram 9/05



Clarke®
BOOST³²
Control Housing Connection Diagram 8/05



Clarke®
BOOST³²
Electrical Schematic 9/05



CLARKE PRODUCT SUPPORT BRANCHES

U. S. A. Locations

PRODUCTION FACILITIES

Clarke®, Springdale, Arkansas
2100 Highway 265
Springdale, Arkansas 72764
(479) 750-1000
Customer Service - 1-800-253-0367
Technical Service - 1-800-356-7274

American Lincoln®, Bowling Green, Ohio 43402
1100 Haskins Road

SERVICE FACILITIES

Clarke®, Elk Grove, Illinois 60007
2280 Elmhurst Road
(847) 956-7900

Clarke®, Denver, Colorado 80204
1955 West 13th Ave.
(303) 623-4367

Clarke®, Houston, Texas 77040
7215 North Gessner Road
713-937-7717

SERVICE AND SALES FACILITY

American Lincoln® / Clarke, Madison Heights,
Michigan 48071-0158
29815 John R.
(810) 544-6300

American Lincoln® / Clarke, Marietta, Georgia 30066
1455 Canton Road
(770) 973-5225

SALES AND DISTRIBUTION CENTER

Clarke®, Secaucus, NJ 07094
74 Henry Street
(201) 864-5503

Clarke®
Clarke American Sanders
A.L. Cook
Customer Service Headquarters and Factory
2100 Highway 265
Springdale, Arkansas 72764
(479) 750-1000

Technical Service
1-800-356-7274

European Locations

PRODUCTION FACILITIES

ALTO Danmark A/S, Aalborg
Blytaekkervej 2
DK-9000 Aalborg
+45 72 18 21 00

ALTO Danmark A/S, Hadsund
Industrivarteret
DK-9560 Hadsund
+45 72 18 21 00

SALES SUBSIDIARIES

Clarke® Canada Ltd., Rexdale Ontario
24 Constellation Ct.
(416) 675-5830

ALTO Overseas Inc., Sydney (Australia)
1B/8 Resolution Drive
Caringbah NSW 2229
+61 2 9524 6122

ALTO Cleaning Systems Asia Pte Ltd., Singapore
No. 17 Link Road
Singapore 619034
+65 268 1006

ALTO Deutschland GmbH, Bellenberg (Germany)
Guido-Oberdorfer-Straße 2-8
89287 Bellenberg
+49 0180 5 37 37 37

ALTO Cleaning Systems (UK) Ltd., Penrith
Gilwilly Industrial Estate
Penrith
Cumbria CA11 9BN
+44 1768 868 995

ALTO France S.A. Strasbourg
B.P. 44, 4 Place d'Ostwald
F-67036 Strasbourg
Cedex 2
+33 3 8828 8400

ALTO Nederland B.V.
Postbus 65
3370 AB Hardinxveld-Giessendam
The Netherlands
+31 184 677 200

ALTO Sverige AB, Molndal (Sweden)
Aminogatan 18
Box 4029
S-431 04 Molndal
+46 31 706 73 00

ALTO Norge A/S, Oslo (Norway)
Bjornerudveien 24
N-1266
+47 2275 1770

Clarke® LIMITED U.S. WARRANTY

This Clarke Industrial/Commercial Product is warranted to be free from defects in materials and workmanship under normal use and service, when operated and maintained in accordance with Clarke's Maintenance and Operations instructions. The warranty period is subject to the conditions stated below.

3 YEARS FOR PARTS AND 1 YEAR FOR SERVICE LABOR (See exceptions below)

Motors must be inspected for carbon motor brush wear at six-month intervals by an authorized Clarke repair station. Failure to comply with the six-month inspection requirement or failure to replace worn motor brushes identified during the inspection will void the warranty on the motors. Cost of the six-month inspection and replacement of carbon motor brushes is the responsibility of the purchaser. In the event of a warranty claim on the motors, proof of inspection and any required motor brush replacement must be provided. This warranty is extended only to the original purchaser for use of the product. It does not cover normal wear parts such as electrical cable, rubber parts, hoses and motor brushes.

BATTERY WARRANTY

In addition to the items above, any original equipment Clarke Battery which becomes unserviceable under normal use within a period of ninety (90) days from date of sale to the original user will be repaired or replaced with one of equal specification at our option, F.O.B. any authorized Clarke Sales or Service Branch, with no charge to the user, except transportation costs. After expiration of the above ninety (90) day period, any battery which fails under normal use will be adjusted to the original user with a new battery of equal specification on an eighteen (18) months pro rate basis from the date of purchase. Adjustment will be determined using the then current list price, plus transportation costs.

Warranty is rendered null and void if battery is not kept filled to the proper level with DISTILLED WATER.

CLARKE: POLYDUR® AUTOMATIC SCRUBBER SOLUTION AND RECOVERY TANK EIGHT-YEAR U.S.

GUARANTEE

Your new Clarke machine has polydur Solution and Recovery Tanks. Polydur is a rotationally molded, low-density linear polyethylene that won't crack or dent, and withstands most corrosives and temperature extremes. Clarke backs up your Polydur tanks with an eight-year guarantee. If a tank breaks or leaks under normal use within eight years of the date of purchase, it will be replaced free.

CLARKE UNIBODY FRAME FIVE-YEAR U.S. WARRANTY

Clarke warrants the frame for a period of five years against defects in materials and workmanship under normal use and service.

STATED WARRANTIES ARE IN LIEU OF ALL OTHER WARRANTIES, EXPRESSED OR IMPLIED

Clarke's liability under this warranty is limited to repair of the product and/or replacement of parts and is given to purchaser in lieu of all other remedies, including INCIDENTAL AND CONSEQUENTIAL DAMAGES.

THERE ARE NO EXPRESS WARRANTIES OTHER THAN THOSE SPECIFIED HEREIN. THERE ARE NO WARRANTIES WHICH EXTEND BEYOND THE DESCRIPTION OF THE FACE HEREOF. NO WARRANTIES, INCLUDING BUT NOT LIMITED TO WARRANTY OF MERCHANTABILITY, SHALL BE IMPLIED. A warranty registration card is provided with your Clarke product. Return the card to assist Clarke in providing the performance you expect from your new floor machine.

If a difficulty develops with the product, you should: a) Contact the nearest authorized Clarke repair location or contact the Clarke Service Operations Department, 2100 Highway 265, Springdale, Arkansas 72764, for the nearest authorized Clarke repair location. Only these locations are authorized to make repairs to the product under this warranty. (b) Return the product to the nearest Clarke repair location. Transportation charges to and from the repair location must be prepaid by the purchaser. Clarke will repair the product and/or replace any defective parts with out charge within a reasonable time after receipt of the product.

Clarke, 2100 Highway 265, Springdale, Arkansas 72764.

**Clarke reserves the right to make changes or improvements to its machine without notice.
Always use genuine Clarke Parts for repair.**

Clarke®

**2100 Highway 265
Springdale, Arkansas, 72764**